

MULTI-BEAM



optical control downlights

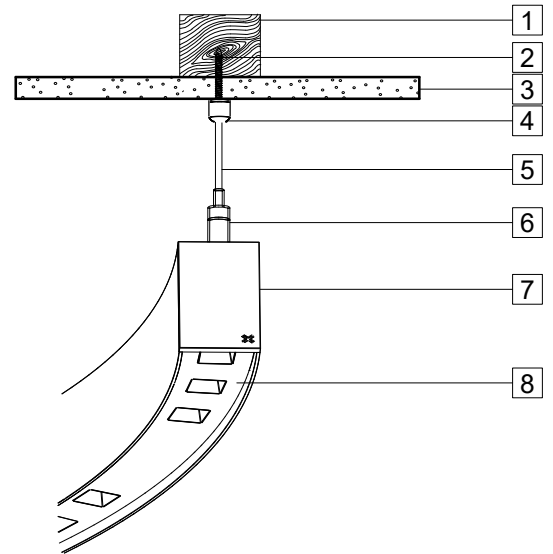
INSTALLATION INSTRUCTIONS

MULTI-BEAM OPTIC DOWNLIGHT SYSTEM

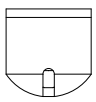
WIRE SUSPENSION

Risk of electric shock - do not open except as instructed.
 Installation and maintenance must be performed by a licensed electrician.
 Disconnect mains supply before installation, maintenance or lens replacement.
 This luminaire must be earthed.
 Verify the mounting structure can support the luminaire weight before installation.
 Do not modify or alter the luminaire in any way.
 Use only manufacturer supplied components and accessories.

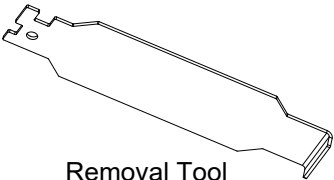
1. Beam or Support
2. Fastener
3. Ceiling
4. Rollerball Barrel
5. Suspension Wire
6. Clutch
7. Endplate
8. Lens Cover Assembly



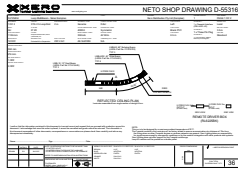
1



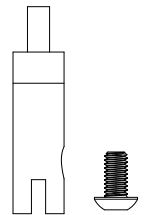
Rollerball Barrel



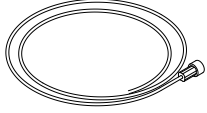
Removal Tool



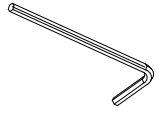
Shop Drawing




Clutch & Screw




Suspension Wire



Allen Key



Sling

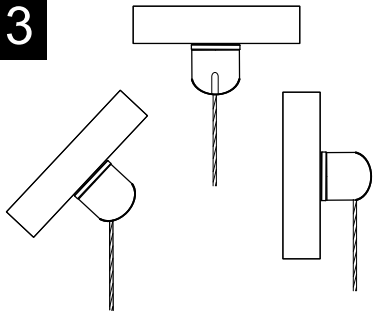


Grub Screw

2

Determine Mounting Location

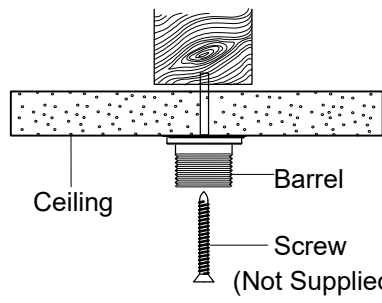
3



Can be mounted on flat ceiling, raked ceiling and wall.

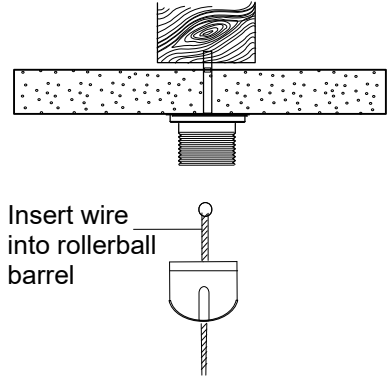
Installer must ensure that the slot orientation in rollerball barrel allows suspension wire to remain perpendicular at all times in all orientations.

4



Screw rollerball barrel to mounting surface

5

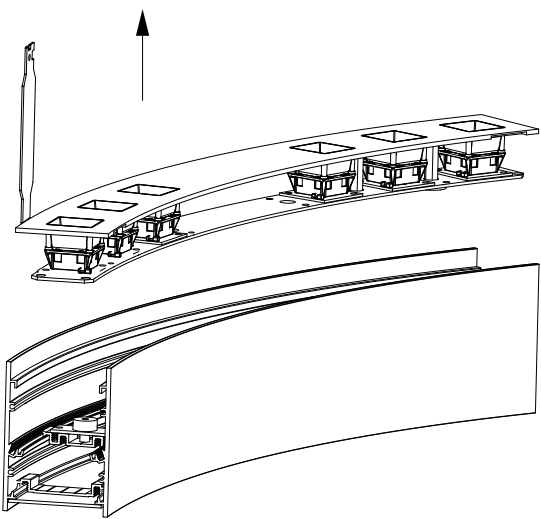


Insert wire into rollerball barrel

If more information is required please contact your local representative at xerolighting.com/contact or email us at headoffice@xerolighting.com

MULTI-BEAM OPTIC DOWNLIGHT SYSTEM

6

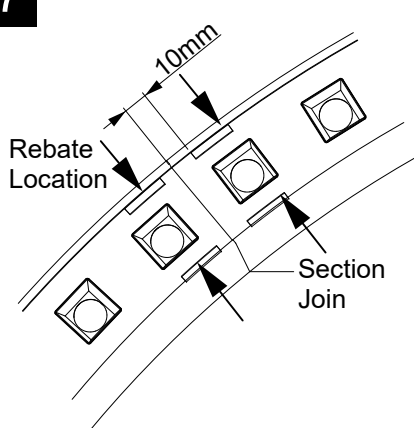


Slide cover to one side.
Engage removal tool with rebate under cover and pull to remove cover.

Remove Lens Cover Assembly and disconnect electrical Connectors

Note position of the Lens Cover Assembly relative to body section

7

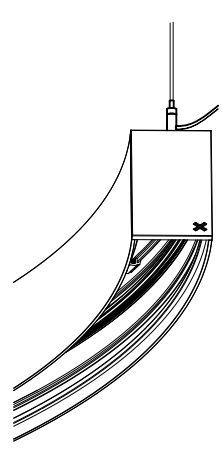


10mm

Rebate Location

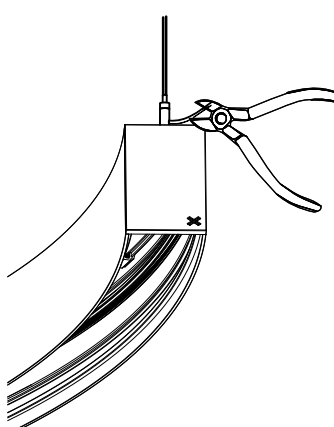
Section Join

8



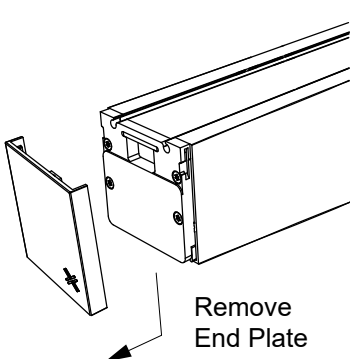
Insert wire in clutch the adjust wire height with clutch

9



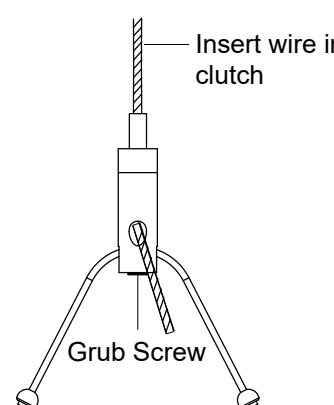
Trim off excess wire once level

10 (For Straight Sections Only)



Remove End Plate

11 (For Straight Sections Only)

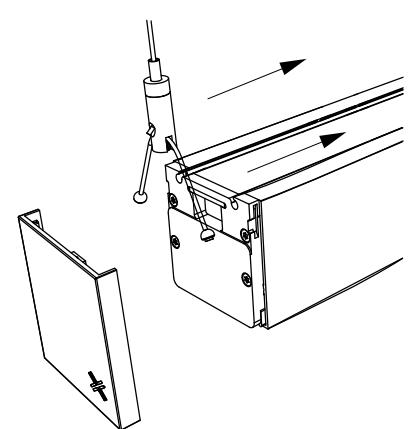


Insert wire in clutch

Grub Screw

Then slide sling into clutch & tighten with grub screw

12 (For Straight Sections Only)

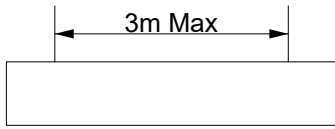


Slide sling along the fitting and replace outer end cap

If more information is required please contact your local representative at xerolighting.com/contact or email us at headoffice@xerolighting.com

MULTI-BEAM OPTIC DOWNLIGHT SYSTEM

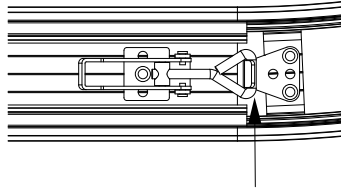
13A



Ensure a max of 3m between wires is maintained

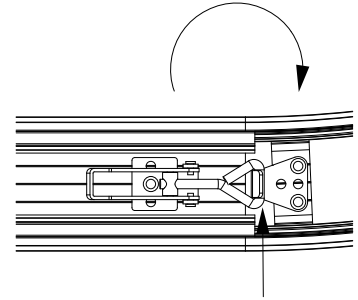
NOTE: Wires should be no more than 0.5m from the end of the luminaire & no more than 0.5 from a join

14A



If more than one piece do up the latch and connect electrical harnesses protruding from each body section.

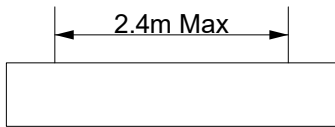
15A



NOTE: If latch does not bring sections together adjust latch hook by turning hook

13B

(For Hyperloop Only)

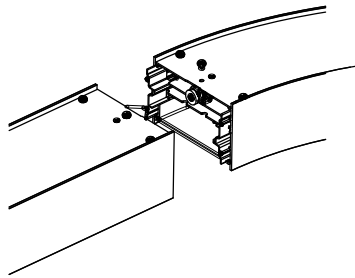


Ensure a max of 2.4m between wires is maintained

NOTE: Wires should be no more than 0.5m from the end of the luminaire & no more than 0.5 from a join

14B

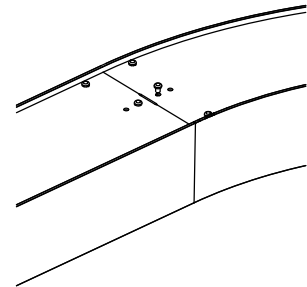
(For Hyperloop Only)



Connect electrical harnesses protruding from each body section. Align roll pins, then allow magnets to draw body sections together

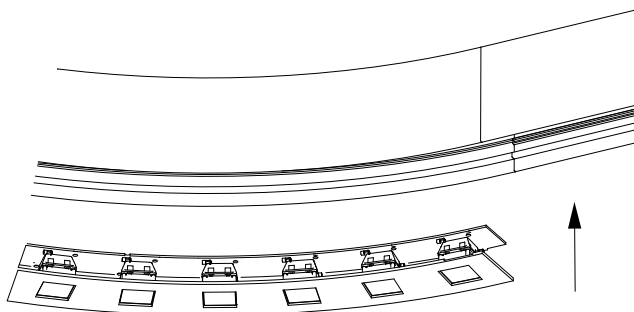
15B

(For Hyperloop Only)



On the top surface of the luminaire, install provided fastener in to the protruding lock plate at each join to mechanically couple sections

16



Connect electrical harnesses and Reassemble the lens cover assembly

NOTE: Take care to replace lens cover to original location

If more information is required please contact you local representative at xerolighting.com/contact or email us at headoffice@xerolighting.com

MULTI-BEAM OPTIC DOWNLIGHT SYSTEM ROD SUSPENSION

Risk of electric shock - do not open except as instructed.

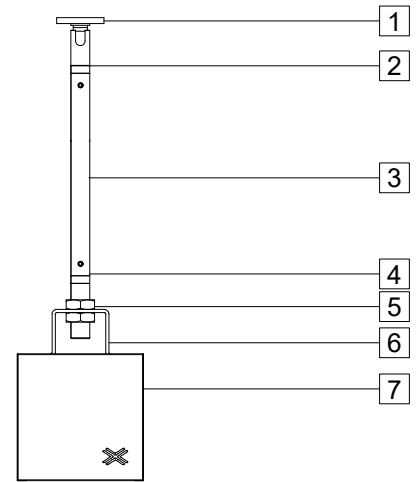
Installation and maintenance must be performed by a licensed electrician. Disconnect mains supply before installation, maintenance or lens replacement.

This luminaire must be earthed. Verify the mounting structure can support the luminaire weight before installation.

Do not modify or alter the luminaire in any way.

Use only manufacturer supplied components and accessories.

1. Ceiling Mount
2. Tube Top
3. Tube
4. Tube Bottom Connector
5. Lock Nuts
6. Rod Bracket
7. Luminaire



1

Lock nuts

Ceiling Mount

Tube top

Suspension rods come assembled from the factory

Spring pins

Tube bottom connector

1x tube 2m

1x tube 4m

Shop Drawing

Removal Tool

Rod bracket

Note: either 2m or 4m rod supplied

2

Determine Mounting Location

3

Determine required height to the top of the luminaire

4

OPTIONAL
use these steps if rods need to be reduced in length on site

Cut tube

Height to top of luminaire (less 95mm)

5

OPTIONAL
use these steps if rods need to be reduced in length on site

At the lower end of the tube, drill a 1/8" (3.175mm) hole through it's diameter, 7.5mm from the end

If there are many rods that need to be height adjusted Xero have an optional drilling jig available to make drilling the holes easier - please contact your nearest Xero office for details

If more information is required please contact you local representative at xerolighting.com/contact or email us at headoffice@xerolighting.com

MULTI-BEAM OPTIC DOWNLIGHT SYSTEM

6

Assemble bottom rod components (Push the pin into the bottom connector hole)

NOTE: Leave off the rod bracket and lower lock nut

7

Fix the rod assemblies at locations shown on the shop drawing. For all sections this must be accurate as these are not adjustable

8

Slide cover to one side. Engage removal tool with rebate under cover and pull to remove cover.

Remove Lens Cover Assembly and disconnect electrical Connectors

Note position of the Lens Cover Assembly relative to body section

9

10mm

Rebate Location

Section Join

10 (For Straight Sections Only)

Remove End Plate

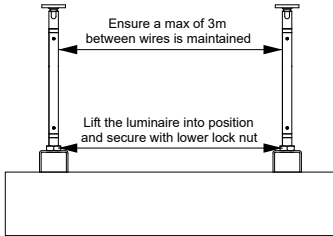
11 (For Straight Sections Only)

Slide suspension saddles along the fitting to align with the rod assemblies and replace outer end cap

If more information is required please contact your local representative at xerolighting.com/contact or email us at headoffice@xerolighting.com

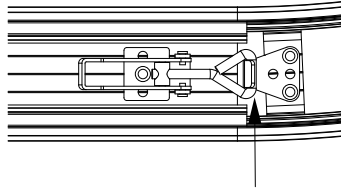
MULTI-BEAM OPTIC DOWNLIGHT SYSTEM

12A



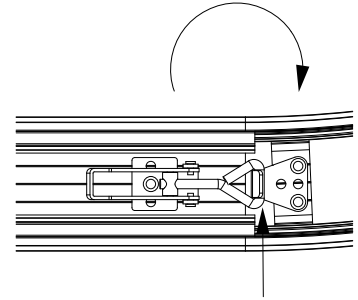
Ensure the luminaire is level by adjusting the lock nuts at each suspension location

13A



If more than one piece do up the latch and connect electrical harnesses protruding from each body section.

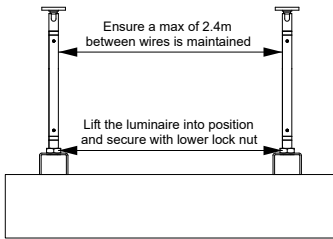
14A



NOTE: If latch does not bring sections together adjust latch hook by turning hook

12B

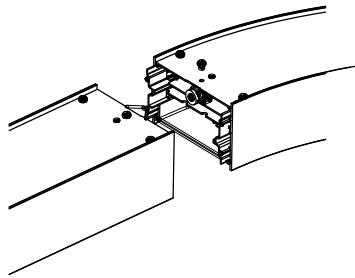
(For Hyperloop Only)



Ensure the luminaire is level by adjusting the lock nuts at each suspension location

13B

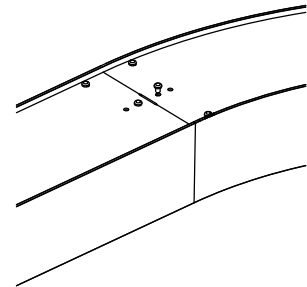
(For Hyperloop Only)



Connect electrical harnesses protruding from each body section. Align roll pins, then allow magnets to draw body sections together

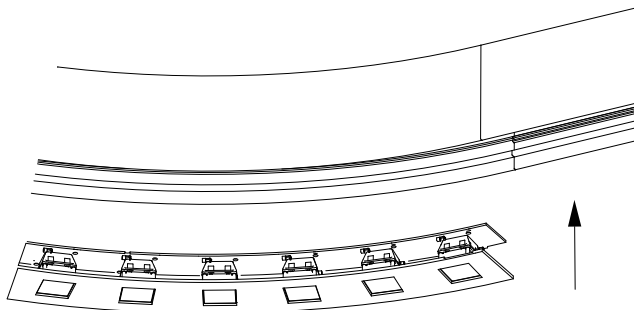
14B

(For Hyperloop Only)



On the top surface of the luminaire, install provided fastener in to the protruding lock plate at each join to mechanically couple sections

15



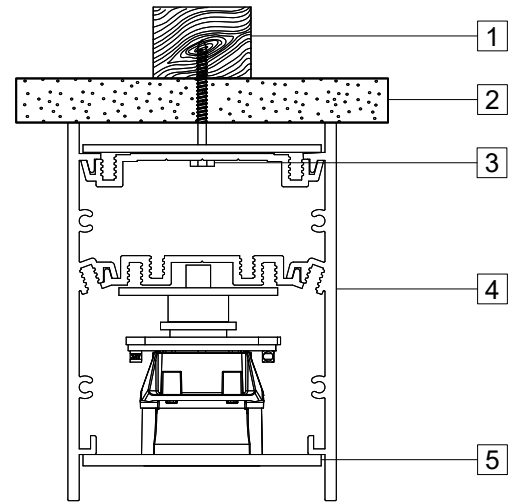
Connect electrical harnesses and Reassemble the lens cover assembly

NOTE: Take care to replace lens cover to original location

MULTI-BEAM OPTIC DOWNLIGHT SYSTEM SURFACE MOUNTING

Risk of electric shock - do not open except as instructed.
 Installation and maintenance must be performed by a licensed electrician.
 Disconnect mains supply before installation, maintenance or lens replacement.
 This luminaire must be earthed.
 Verify the mounting structure can support the luminaire weight before installation.
 Do not modify or alter the luminaire in any way.
 Use only manufacturer supplied components and accessories.

1. Beam or Support
2. Ceiling
3. Fastener
4. Luminaire
5. Lens Cover Assembly



1

Multi-Beam Fitting

Removal Tool

Shop Drawing

2

Determine
Mounting
Location

3

(For Straight Sections Only)

Remove End Plate

If more information is required please contact you local representative at xerolighting.com/contact or email us at headoffice@xerolighting.com

MULTI-BEAM OPTIC DOWNLIGHT SYSTEM

4

Slide cover to one side. Engage removal tool with rebate under cover and pull to remove cover.

Remove Lens Cover Assembly and disconnect electrical Connectors

Note position of the Lens Cover Assembly relative to body section

5

10mm

Rebate Location

Section Join

6A

Drill holes at 3metre maximum centres

*Strap Section

Drill through the top section of the luminaire to accommodate selected fixing screws.

***Please note:** For all curved parts only drill through the strap sections

6B (For Hyperloop Only)

Ensure the surface mounting plate is installed on the luminaire at the designated mounting points

7

CAUTION: Make sure that the profile is not distorted by overtightening the fastener

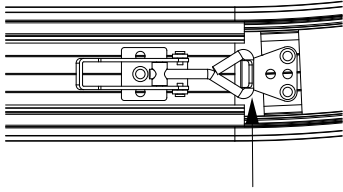
Fix screw or selected fastener into support structure

If more information is required please contact you local representative at xerolighting.com/contact or email us at headoffice@xerolighting.com



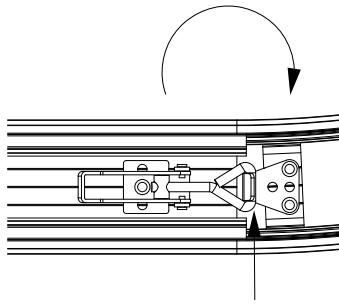
MULTI-BEAM OPTIC DOWNLIGHT SYSTEM

8A



If more than one piece do up the latch and connect electrical harnesses protruding from each body section.

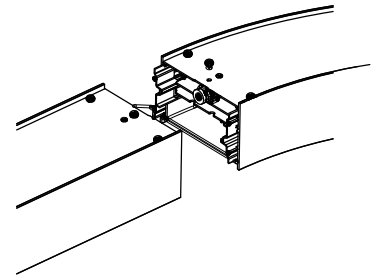
9A



NOTE: If latch does not bring sections together adjust latch hook by turning hook

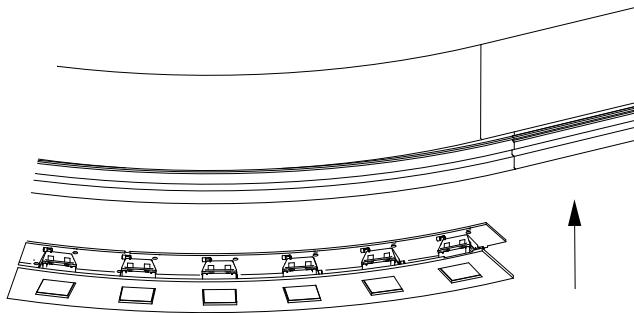
8B

(For Hyperloop Only)



Connect electrical harnesses protruding from each body section. Align roll pins, then allow magnets to draw body sections together

10



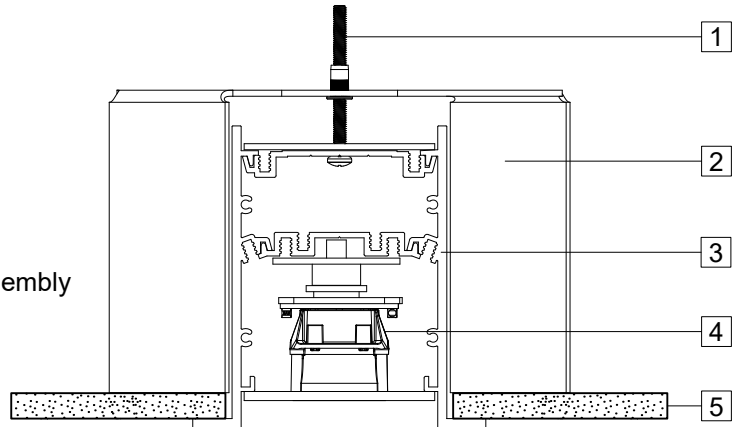
Connect electrical harnesses and Reassemble the lens cover assembly

NOTE: Take care to replace lens cover to original location

MULTI-BEAM OPTIC DOWNLIGHT SYSTEM RECESSED MOUNTING

Risk of electric shock - do not open except as instructed.
 Installation and maintenance must be performed by a licensed electrician.
 Disconnect mains supply before installation, maintenance or lens replacement.
 This luminaire must be earthed.
 Verify the mounting structure can support the luminaire weight before installation.
 Do not modify or alter the luminaire in any way.
 Use only manufacturer supplied components and accessories.

1. Screw
2. Recessed Clip
3. Luminaire
4. Lens Cover Assembly
5. Ceiling



1

Removal Tool

Shop Drawing

Recessed Clip and Luminaire

Note: Ensure ceiling construction can support luminaire weight

2

Determine Mounting Location

3

Fix templates provided to ceiling and trace cut-out shape

Note: Template parts have interlocking ends

4

Ceiling opening width = $W + 7\text{mm}$

Ensure ceiling cut out is the correct length and width

If more information is required please contact your local representative at xerolighting.com/contact or email us at headoffice@xerolighting.com

MULTI-BEAM OPTIC DOWNLIGHT SYSTEM

5

Slide cover to one side. Engage removal tool with rebate under cover and pull to remove cover.

Remove Lens Cover Assembly and disconnect electrical Connectors

Note position of the Lens Cover Assembly relative to body section

6

10mm

Rebate Location

Section Join

7

Top View

Rotate Recessed Clips so that they sit flush against the body

8

Insert Luminaire in to ceiling, tighten the screw until the luminaire is held flush with the ceiling

9A

If more than one piece do up the latch and connect electrical harnesses protruding from each body section.

10A

NOTE: If latch does not bring sections together adjust latch hook by turning hook

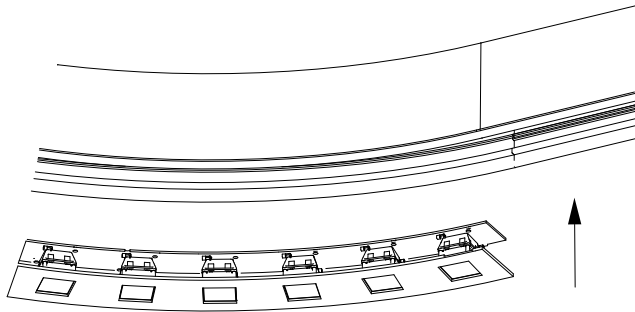
9B (For Hyperloop Only)

Connect electrical harnesses protruding from each body section. Align roll pins, then allow magnets to draw body sections together

If more information is required please contact you local representative at xerolighting.com/contact or email us at headoffice@xerolighting.com

MULTI-BEAM OPTIC DOWNLIGHT SYSTEM

11



Connect electrical harnesses and
Reassemble the lens cover assembly

NOTE: Take care to replace lens cover to original location

WARNING

1. Ensure luminaire is kept horizontal whilst being lifted into ceiling.
2. If there is more than one section of luminaire insert each piece into ceiling separately and connect.

NOTE: When installing the last section in a multiple section luminaire there is no joining pins or latch across