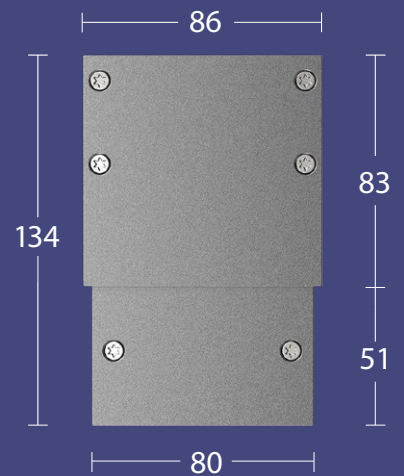
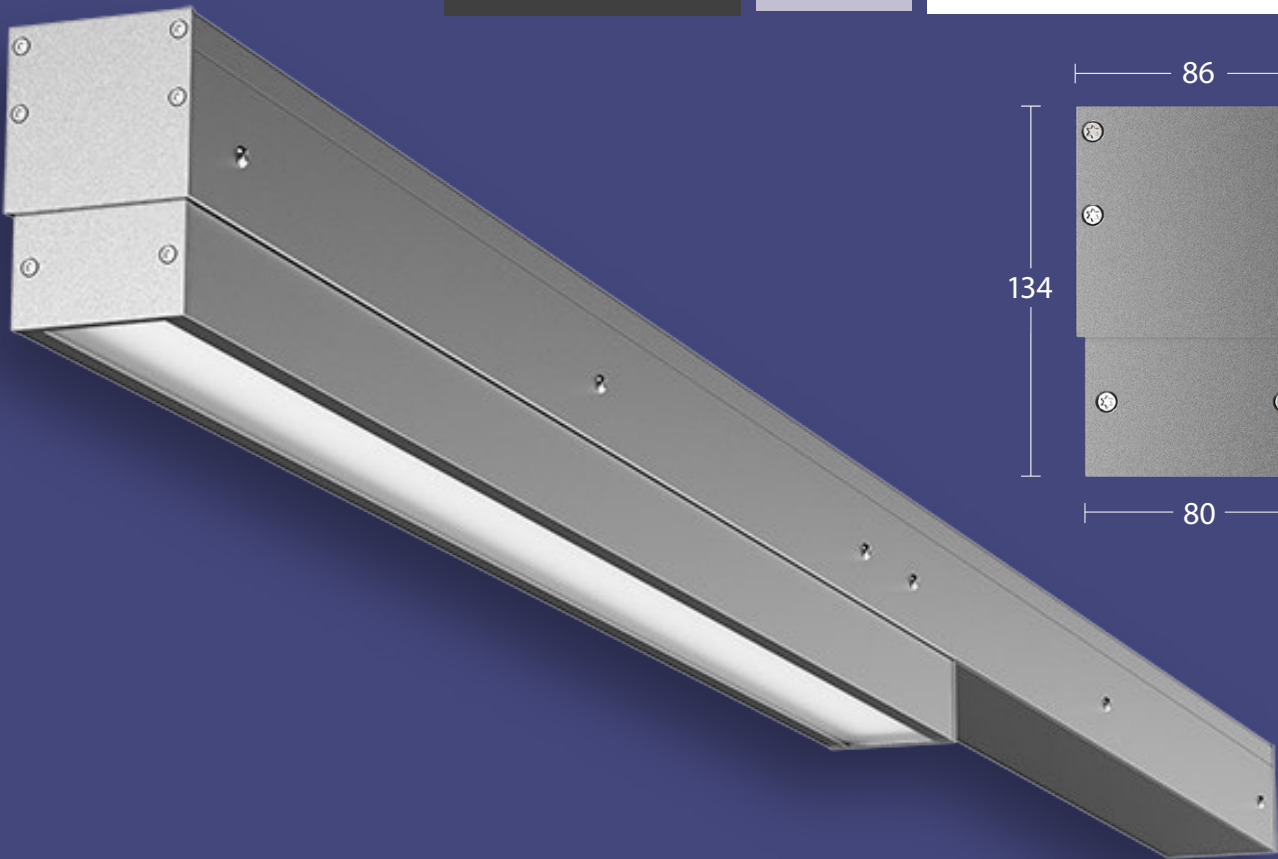


XTI | 3.0 CB Square Cable Base

IK10+ | IP66

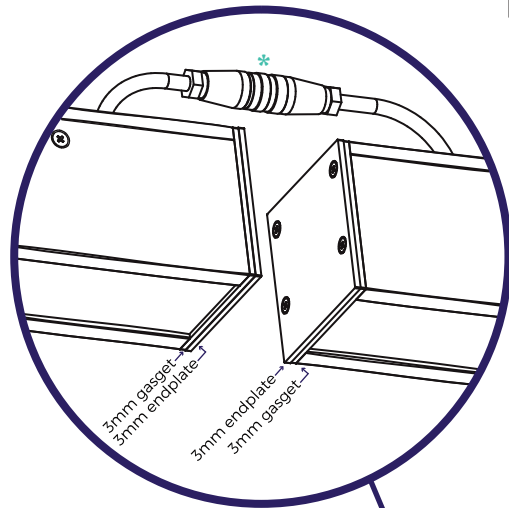
Luminaire	metric	80mm Wide x 51mm High
	imperial	3.14" Wide x 2.00" High
Segregated Cable Base	metric	86mm Wide x 83mm High
	imperial	3.38" Wide x 3.26" High



DATA TABLE

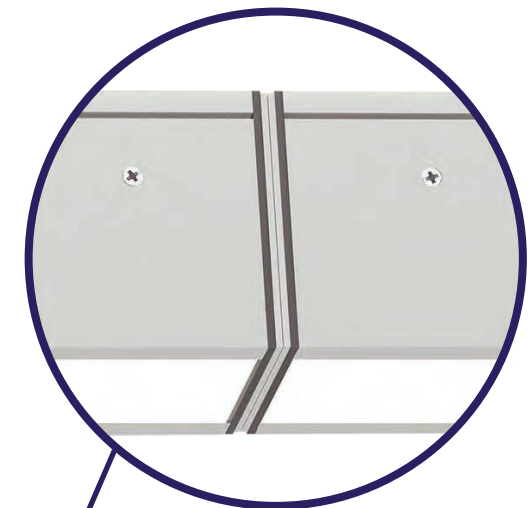
Output	4ft Length 1120mm	Luminous Flux (Delivered Lumens)	LO 1900	HO 3500	
		CRI		80+	
	Lumen Maintenance		114,000 hours [L90 B10 @ 50°C] 1M hours [L70 B10 @ 50°C]		
Warranty	Xeramix		Xeramix 1 10 years Xeramix R = 15 years		
Electrical	Power Consumption		Between 20 and 45w/m		
	Voltage input range		120 – 277V		
	Control methods		Dimming options for white light: 0-10V, DALI, DMX Optional RGB / Sunset Dimming control DMX or DALI XI		
	Total harmonic distortion THD		9.8% max		
	Approvals		UL / CE / CCC / AS:NZS / EMC		
Physical	Mated Dimensions		(Luminaire 80mm W x 51mm H) (Segregated Cable Base 86mm W x 83mm H)		
	Weight per metre		6.3kg (13.88lbs) (Combined average weight of Luminaire & Segregated Cable Base)		
	Housing		Aluminium Extrusion with: Standard – silver powder-coat, black or white textured, (or) optional selected powder-coated finish		
	Diffuser		Opaque Polycarbonate Diffuser/ Clear Polycarbonate Diffuser / Parabolic Louvre		
	Connections		Optional polarised electrical connection between sections		
	Compatible ceiling type		Suitable for drywall ceilings, metal pan, concrete, timber and T bar grid ceilings		
	Mounting		Surface Mounting / Custom Mounting / Rod Suspension / Wall Mounting		
	Joiner options		90° Straight / 180° Custom		
	Operating temperatures		-25°C to 50°C (-13°F to 140°F)		
	Environment		Luminaire IP66 (Not in direct sunlight, diffuser must not face upwards). Segregated Cable Base IP20		
	Minimum length adjustment		Luminaire 25mm, Segregated Cable Base 1mm.		
	LED board types		Xeramix 1 and Xeramix R Boards and drivers in 25mm compatible / 100mm 280mm and 560mm Zhaga lengths		
	IK rating		IK11		
	Vandal proof		Available with anti-vandal fasteners		
	Optional extras		Lanyards / Emergency packs / Camera / Environmental plugs / Thermal throttle / IOT connectivity		

Example of luminaire joining combination (Cable base not shown)

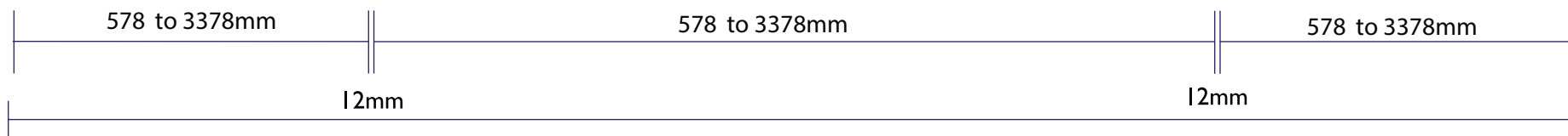
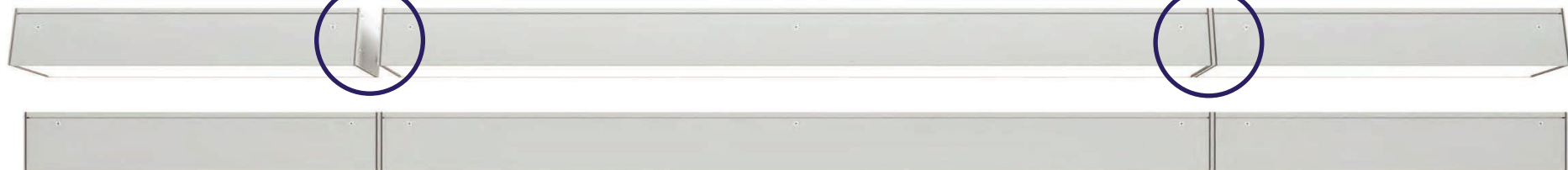


Separated

*optional plug shown



Joined



Total length 578 to ∞

Example combination

Other combinations and configurations are available.
(Cable base not shown)



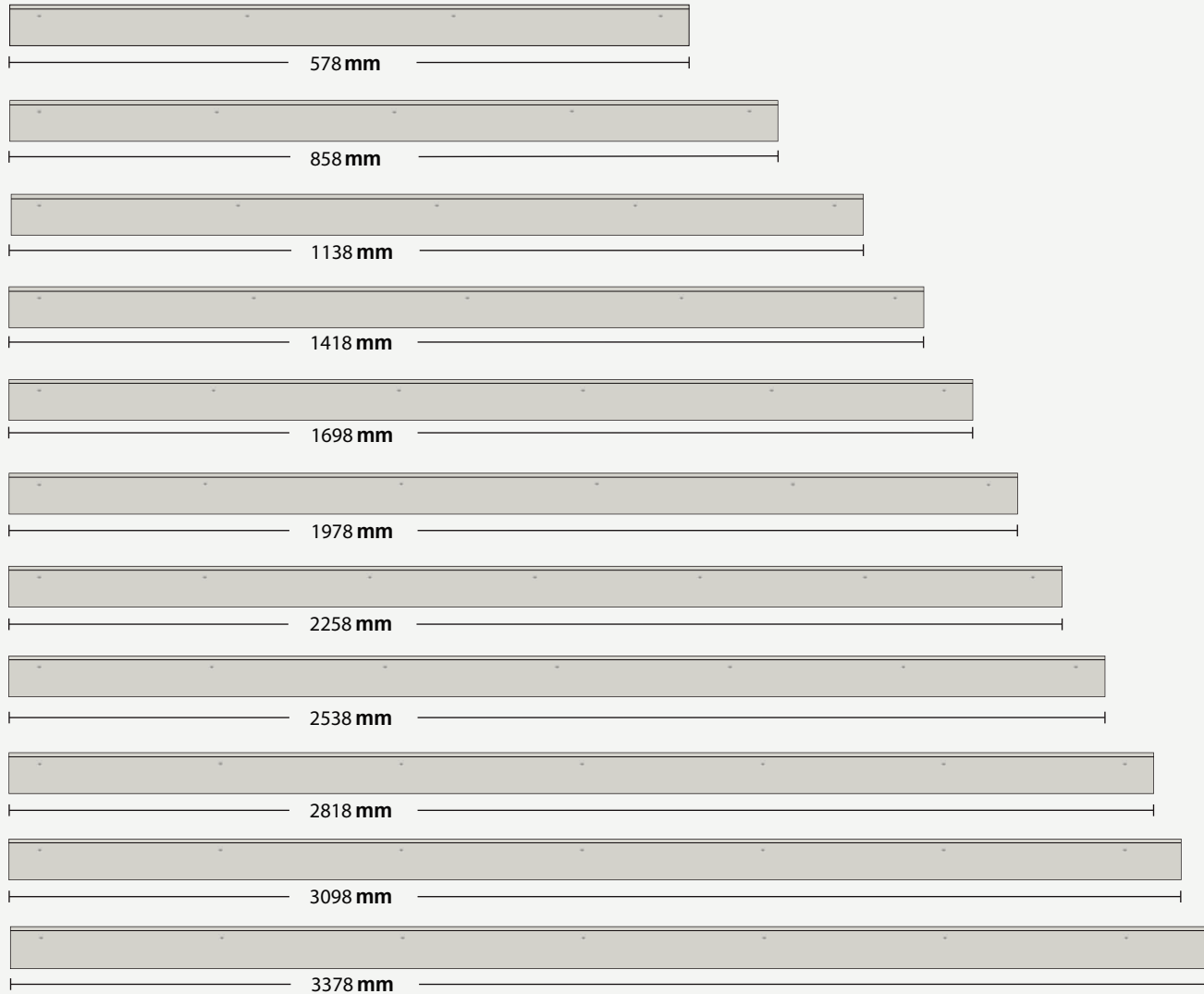
CREATING LENGTHS WITH XTI | 3.0 Square IP66 IK10+

The XTI | 3.0 IP66 IK10+ set lengths can be coupled together in any combination to achieve the desired length.
Note: custom lengths are also available – please consult your local Xero office for information

CUSTOM LENGTHS

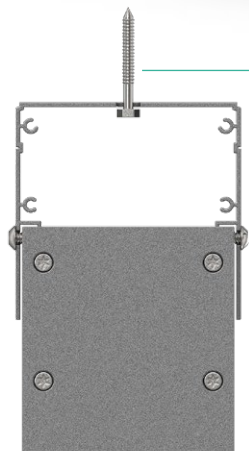
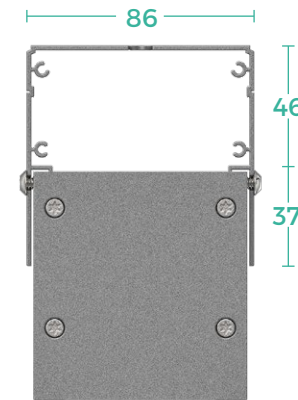
Custom lengths are available in 0.984" (25mm) increments

XTI LUMINAIRE AVAILABLE LENGTHS



DESCRIPTION	LENGTHS										
total luminaire length in mm	578	858	1138	1418	1698	1978	2258	2538	2818	3098	3378
total luminaire length in inches	23	34	45	56	67	78	89	99	111	122	133
'560 board multiples	1.0	1.5	2.0	2.5	2.0	3.5	4.0	4.5	4.5	5.5	6.0

XTI | 3.0 CB Square Cable Base Dimensions



Fix fitting
to required
sub-straight

(Fasteners not supplied)

90° Join

Example combination -
(other combinations / configurations available)

XTI | 3.0 CB Square Cable Base



XTI | 3.0 CB Square (Cable Base)

Overall size: 86mm Wide x 134mm High



Luminaires can be placed where
required or in a continuous row arrangement

L90 | B10 | 114K Hours | 50° Ambient | IP66 | IK10+ | 10 Year Warranty

XERO TECHNOLOGY INFRASTRUCTURE **XTI** I

XTI | 3.0 Square
IK10+ | IP66

Optical control

XTI profiles come with many diffuser options for glare control in any application



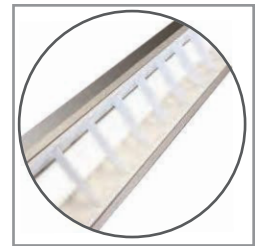
VO Low Smoke Polycarbonate



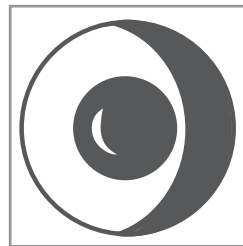
Polycarbonate



Semi-specular Louvre



Optic white louvre



sensors / daylight harvesting



emergency packs



pa speaker



ewis speaker



smoke detector



camera