



XERO
TECHNOLOGY
INFRASTRUCTURE



XTI | 2.0 Slot

IK II | IP66

metric

60mm Wide x 100mm High

imperial

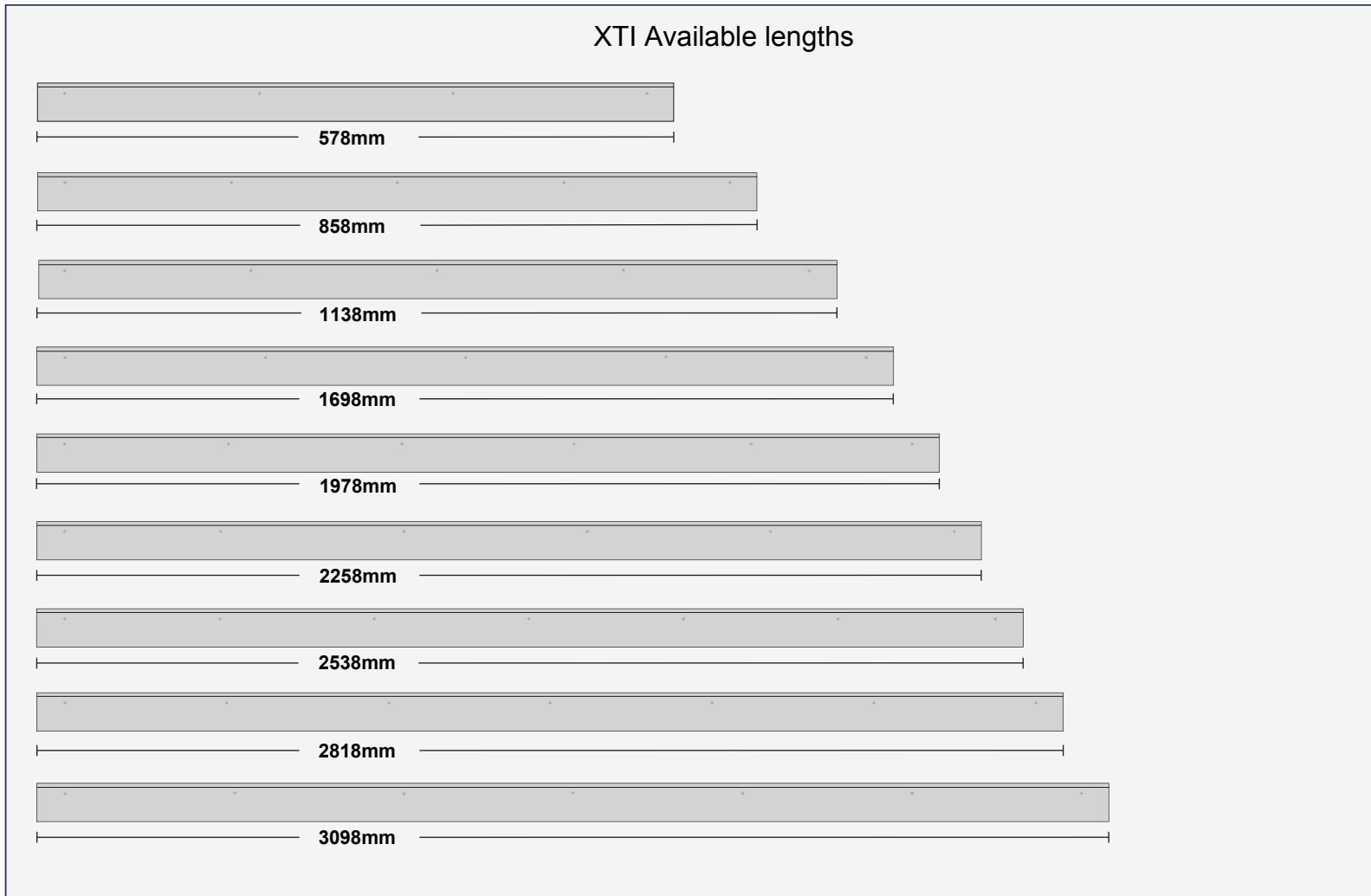
2.755" Wide x 3.937" High



DATA TABLE

Output	4ft Length	Luminous Flux (Delivered Lumens)	LO	HO	
	1120mm		1900	3500	
Output	CRI		80+		
	Lumen Maintenance		114,000 hours [L90 B10 @ 50°C] 1M hours [L70 B10 @ 50°C]		
Warranty	Xeramix 1 10 years Xeramix R = 15 years				
Electrical	Power Consumption		Between 20 and 45w/m		
	Voltage input range		120 – 277V		
	Control methods		Dimming options for white light: 0-10V, DALI, DMX Optional RGB / Sunset Dimming control DMX or DALI XI		
	Total harmonic distortion THD		9.8% max		
	Approvals		UL / CE / CCC / AS:NZS / EMC		
Physical	Dimensions		60 X 100 mm		
	Weight per metre		3.9kg (8.6lbs) average weight		
	Housing		Aluminium Extrusion with: Standard – silver powder-coat, black or white textured, (or) optional selected powder-coated finish		
	Diffuser		Opaque Polycarbonate Diffuser / Clear Polycarbonate Diffuser / Parabolic Louvre		
	Connections		Optional polarised electrical connection between sections		
	Compatible ceiling type		Suitable for gyprock (drywall) ceilings, metal pan, concrete, timber and T-bar grid ceilings		
	Mounting		Field adjustable rollerball wire suspensions / rod suspensions / wall mounting / surface mount / custom Mounting		
	Joiner options		90° Straight / 180° Custom		
	Operating temperatures		-25°C to 50°C (-13°F to 140°F)		
	Environment		IP66 (not in direct sunlight) (diffuser must not face upwards)		
	Minimum length adjustment		25mm		
	LED board types		Xeramix 1 and Xeramix R Boards and drivers in 25mm compatible / 100mm 280mm and 560mm Zhaga lengths		
	IK rating		IK11		
	Vandal proof		Available with anti-vandal fasteners		
	Optional extras		Lanyards / Emergency packs / Camera / Environmental plugs / Thermal throttle / IOT connectivity		

XTI Available lengths



DESCRIPTION	LENGTHS										
total luminaire length in mm	578	858	1138	1418	1698	1978	2258	2538	2818	3098	3378
total luminaire length in inches	23	34	45	56	67	78	89	99	111	122	133
'560 board multiples	1.0	1.5	2.0	2.5	2.0	3.5	4.0	4.5	4.5	5.5	6.0

EXAMPLE OF STANDARD LENGTH COMBINATION



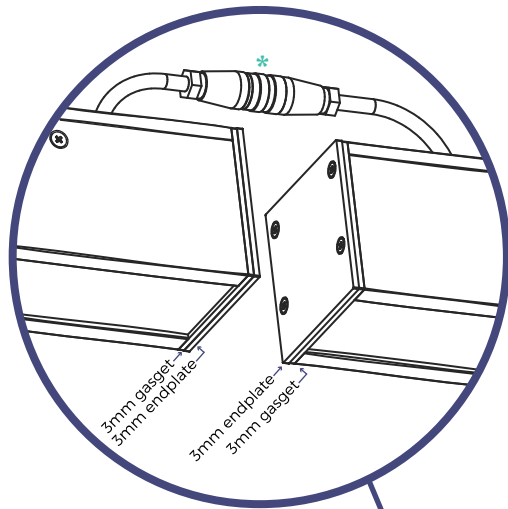
CREATING LENGTHS WITH XTI | 2.0 Slot IP66 IK11

The XTI | 2.0 IP66 IK11 set lengths can be coupled together in any combination to achieve the desired length. Note: custom lengths are also available – please consult your local Xero office for information

CUSTOM LENGTHS

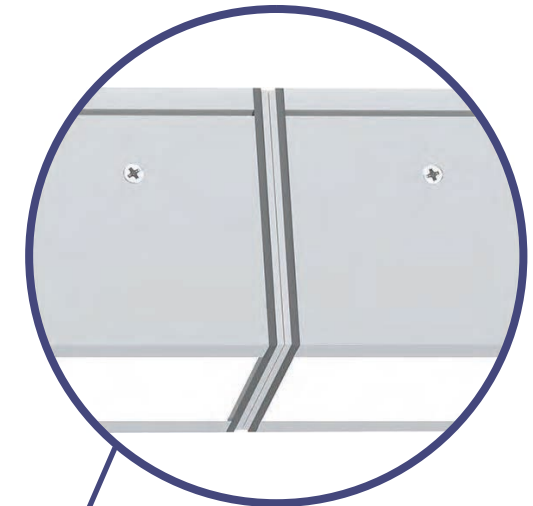
Custom lengths are available in 0.984" (25mm) increments

JOINING CONFIGURATION

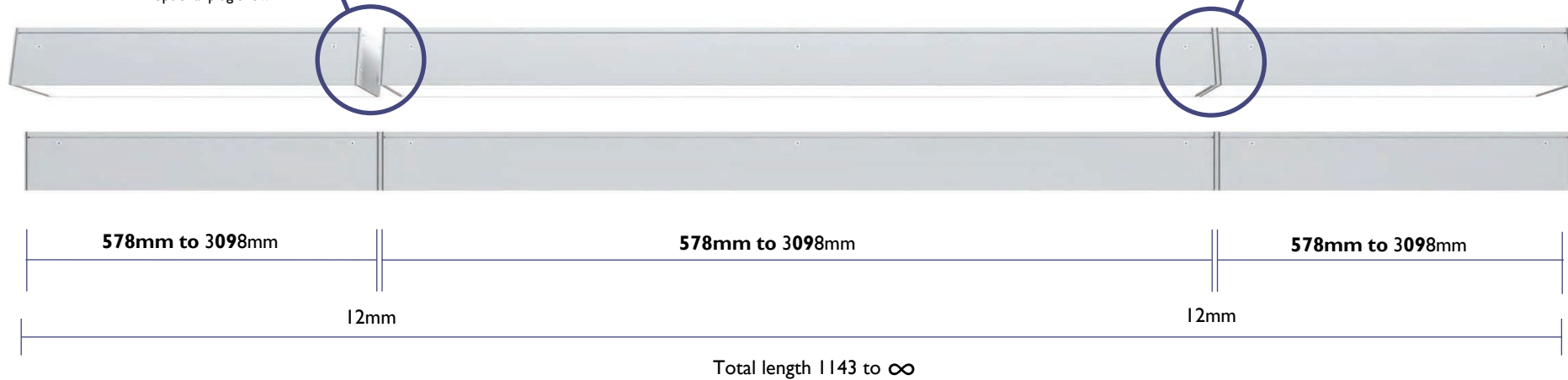


Separated

*optional plug shown



Joined

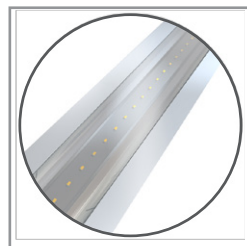


XERO TECHNOLOGY INFRASTRUCTURE **XTI I**

XTI | 2.0 Slot
IK II | IP66

Optical control

XTI profiles come with many diffuser options for glare control in any application



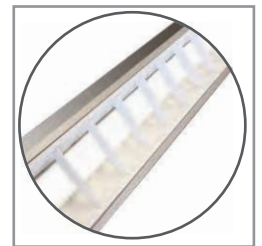
Clear Polycarbonate



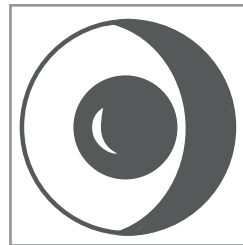
Opal Polycarbonate



Semi-specular Louvre



Optic white louvre



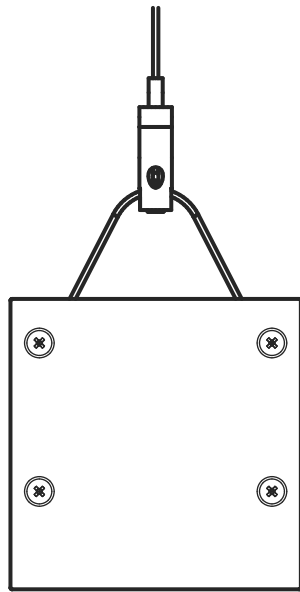
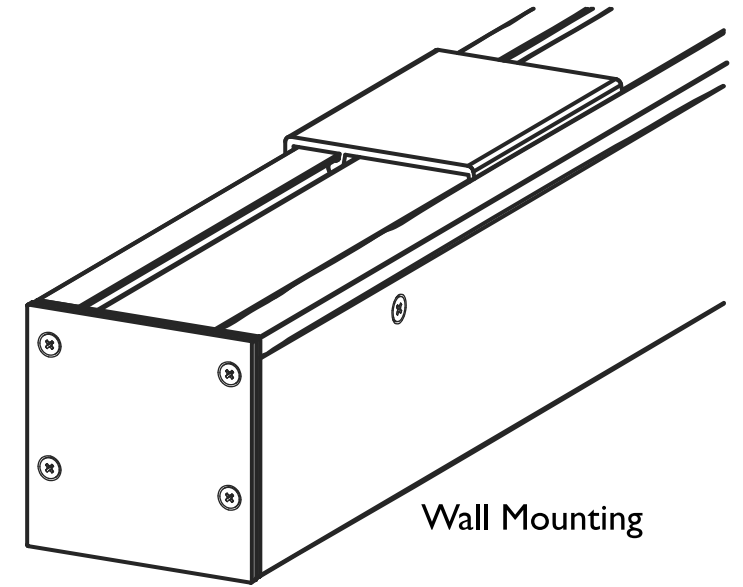
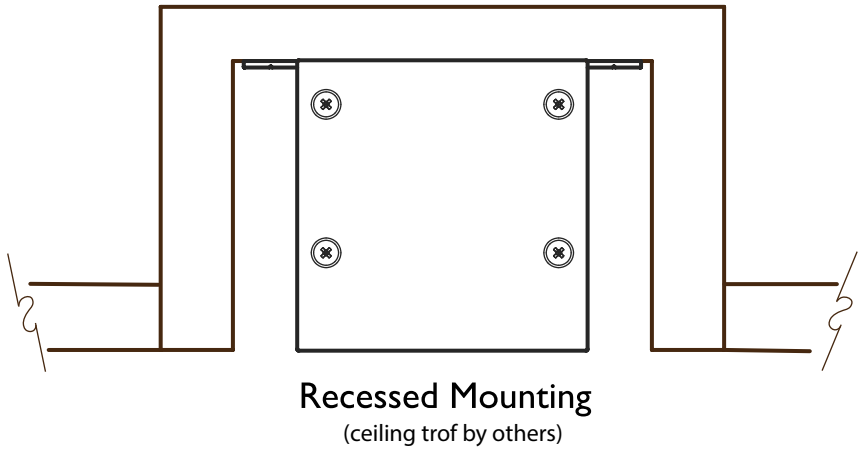
sensors / daylight harvesting



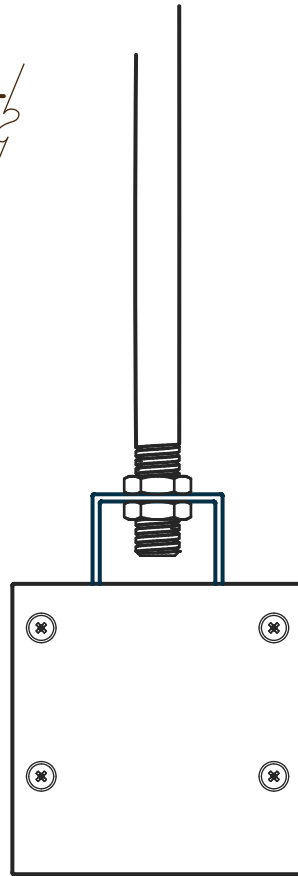
emergency packs



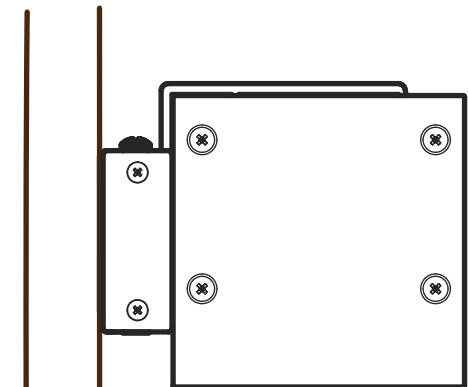
MOUNTING



Wire Suspension



Rod Suspension



**Wall Mounting
Side View**