



XTA | 2.5 Loop SLOT

Metric: 71 x 100mm
Imperial: 2.795" x 3.937"

Wire or Rod Suspended
Surface Mounted
Removable Diffusers
Light Leak free
endplates
and joins

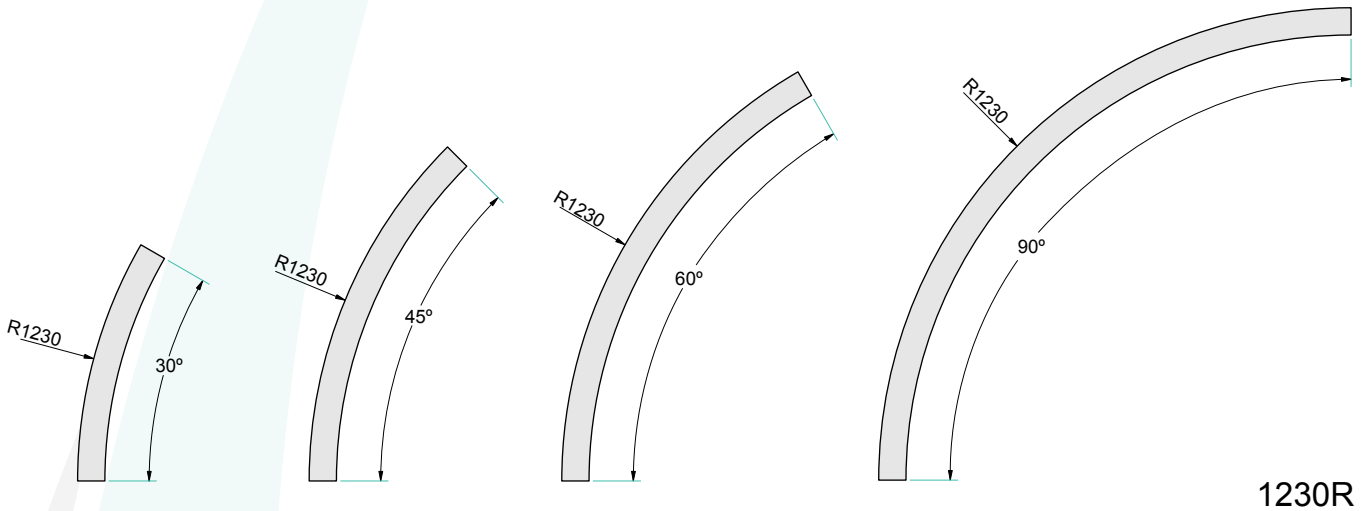


Data Table

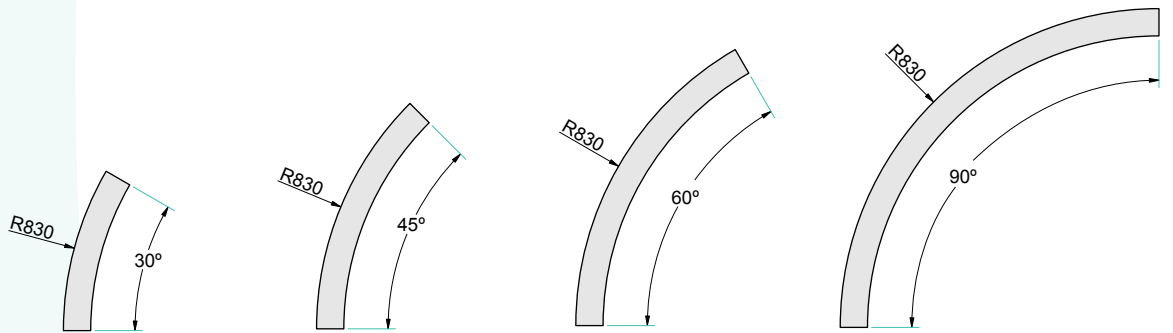
Optic Module LED Engine	4ft Length 1120mm	Luminous Flux (Delivered Lumens)	LO 1900	HO 3500	
	Xeramix	CRI		80+	
	Lumen Maintenance:		114,000 Hours (L90 B10 @ 50°)		
Proformax	CRI:		90+		
	Lumen Maintenance:		82,000 Hours (L80 B10 @ 35°)		
Warranty	Xeramix		10 years		
	Proformax		7 years		
Electrical	Power Consumption		Between 20 and 45w/m		
	Voltage input range		120 – 277V		
	Controls		0-10 volts / Dali Control Gear / DSI compatible / DMX / Dimmer switch / Constant light output / Motion sensor / Ripple free / Bluetooth mesh / Casambi control wireless system		
	Total harmonic distortion THD		9.8% max		
	Approvals		UL / CE / CCC / AS:NZS / EMC		
Physical	Dimensions		71 X 100mm		
	Weight per metre		4.0kg (8.8lbs) average weight		
	Housing		Aluminium Extrusion with standard silver powder-coat, black or white textured, (or) optional selected powder-coated finish		
	Diffuser		Frosted acrylic lens / Polycarbonate lens		
	Accessories		Various connection shapes available		
	Connections		Speed connect joining system with polarised electrical connection between sections		
	Compatible ceiling type		Suitable for gyprock (drywall) ceilings, metal pan, concrete, timber and T-bar grid ceilings		
	Mounting		Field adjustable rollerball wire suspensions / rod suspensions / wall mounting / surface mount.		
	Bend Radii		430R / 830R / 1230R as standard with custom radii available (No unlit)		
	Joiner options		Lit corner 90° / Cross 90° / Tee 90° / straight 180° join		
	Endplate Options		Conseal flat or optional curved end plates		
	Operating temperatures		Xeramix = -25°C to 50°C (-13°F to 140°F) Proformax = -25°C to 35°C (-13°F to 95°F)		
	Environment		Dry indoor applications only		
	Minimum length adjustment		Xeramix = 1mm Proformax = 25mm		
	LED Board types		Xeramix LED boards in 25 / 100 / 280 / 560mm lengths Zhaga compatible Proformax LED boards in 50 / 280mm / 560mm lengths Zhaga compatible		
Configurations		Down only			

XTA | 2.5 LOOP SLOT

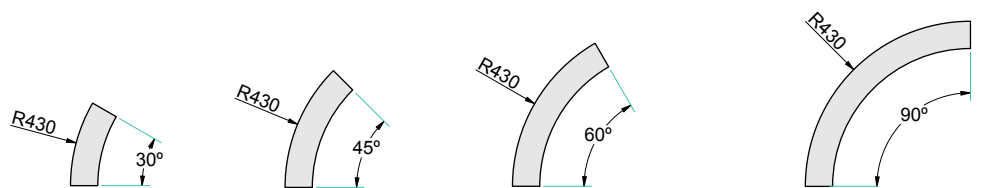
Standard Bend Options



1230R



830R



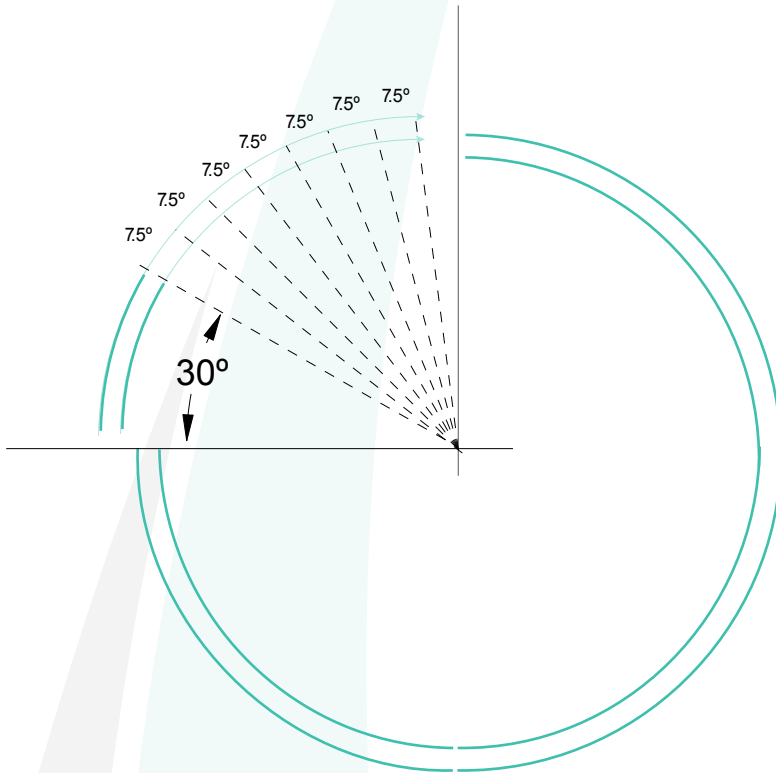
430R

*Other custom radii available on request

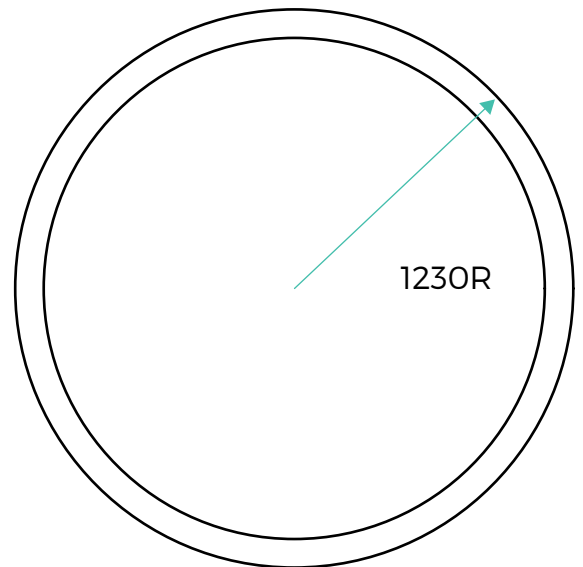
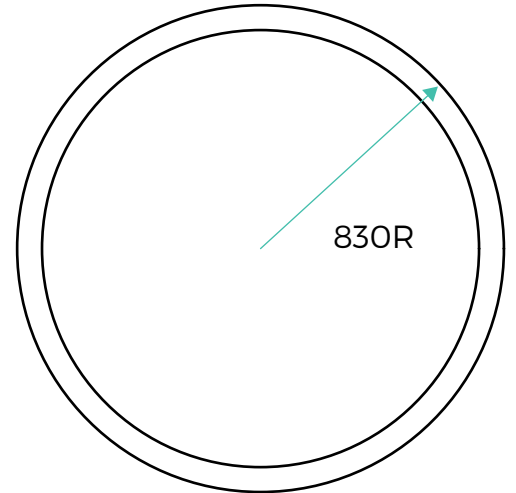
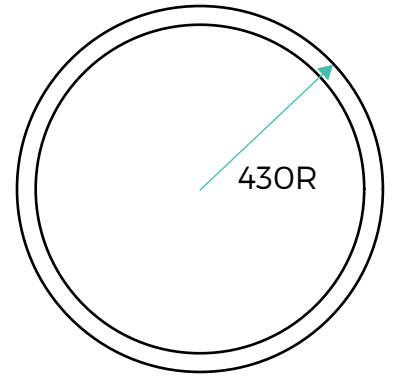
All radii bends can have integral drivers provided they join a straight section or are $\geq 1230R$

XTA | 2.5 Loop Slot

Standard Arc Options

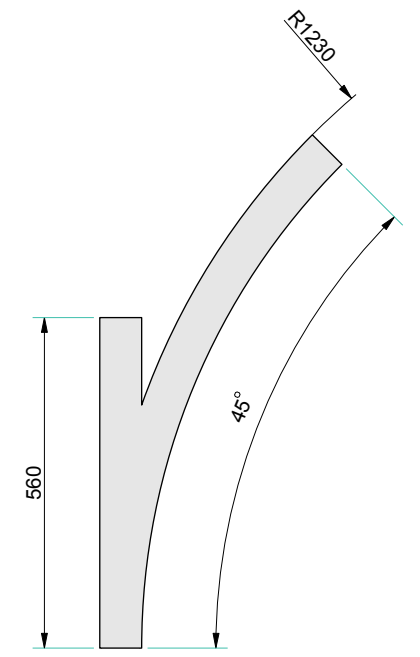
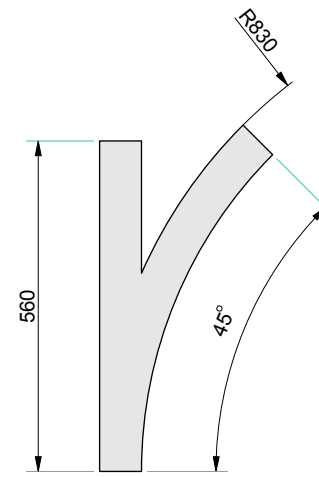
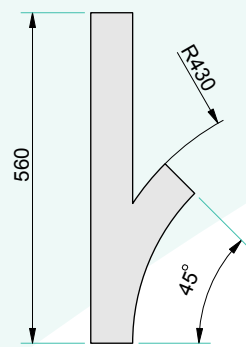


Minimum 30° segment
then each segment can be
increased in 7.5° increments
Arc segments below
1230R have remote drivers

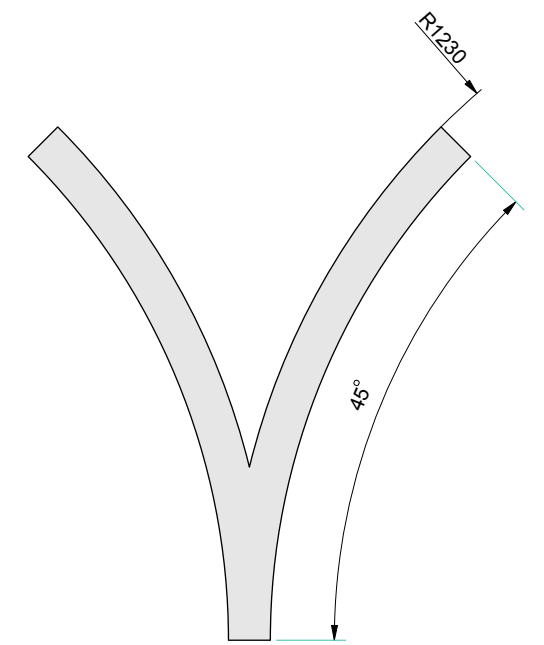
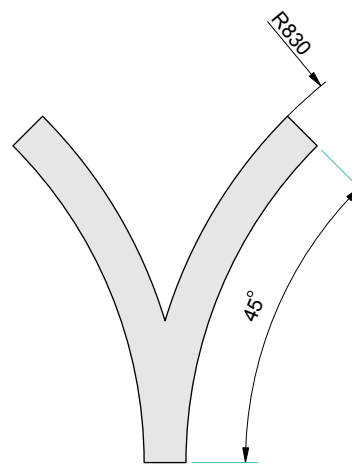
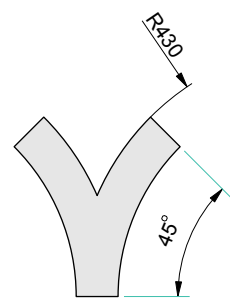


Other options available on request

XTA 2.5 LoopSlot Standard Connections



Y Bends



V Bends

Other options available on request

Conseal is a patented end plate that is complete with 'magnetic snap' cover plate that's nothing short of impressive

50mm or 7.50° = the industry's smallest arc adjustment

Axis removable gear-tray for quick and simple 'single person' installation

The **NEW Conseal curved endplate** with 'magnetic snap' now offers you the choice to suit your next custom project

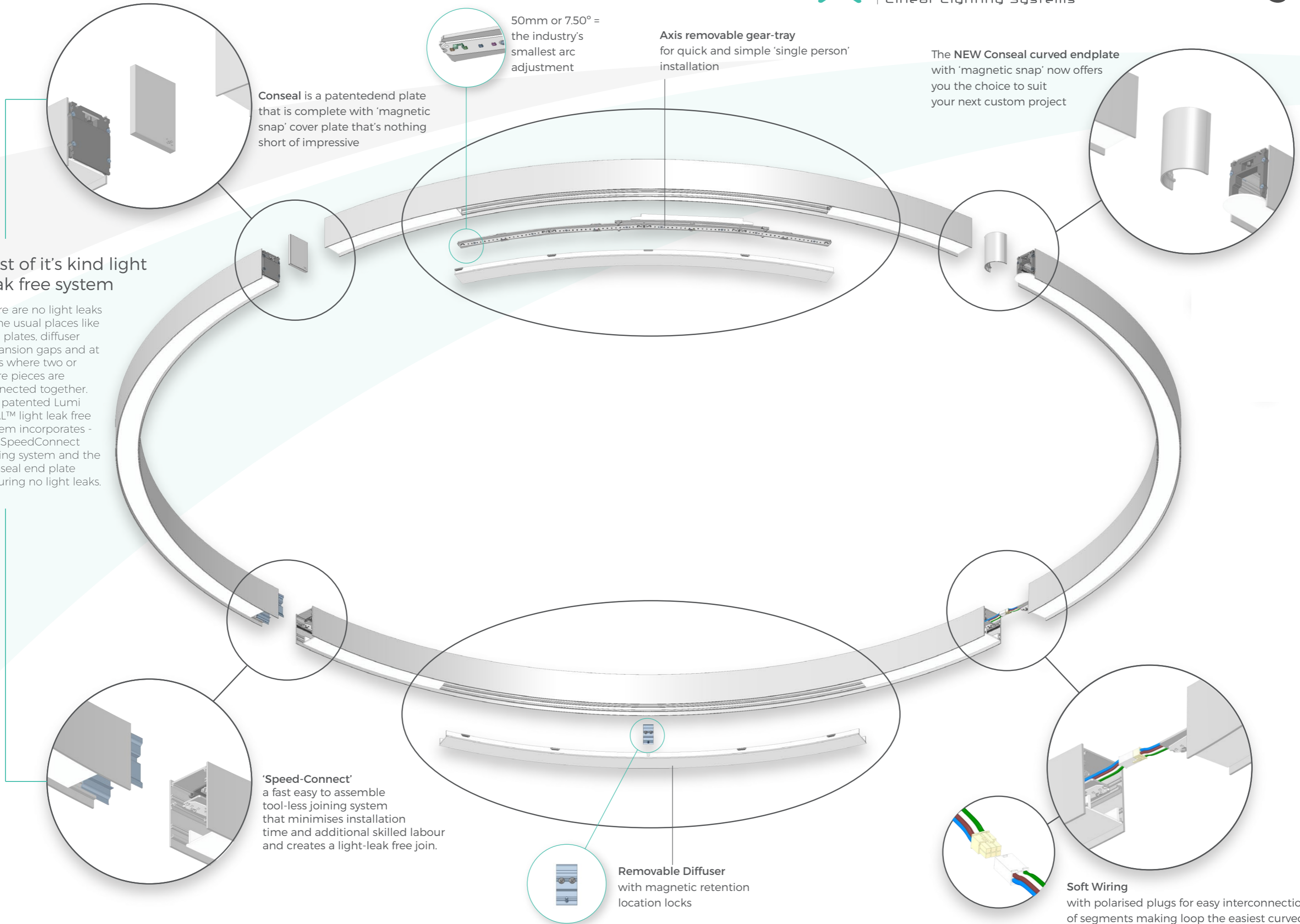
First of its kind light leak free system

There are no light leaks in the usual places like end plates, diffuser expansion gaps and at joins where two or more pieces are connected together. The patented Lumi SEAL™ light leak free system incorporates - the SpeedConnect joining system and the Conseal end plate ensuring no light leaks.

'Speed-Connect' a fast easy to assemble tool-less joining system that minimises installation time and additional skilled labour and creates a light-leak free join.

Removable Diffuser with magnetic retention location locks

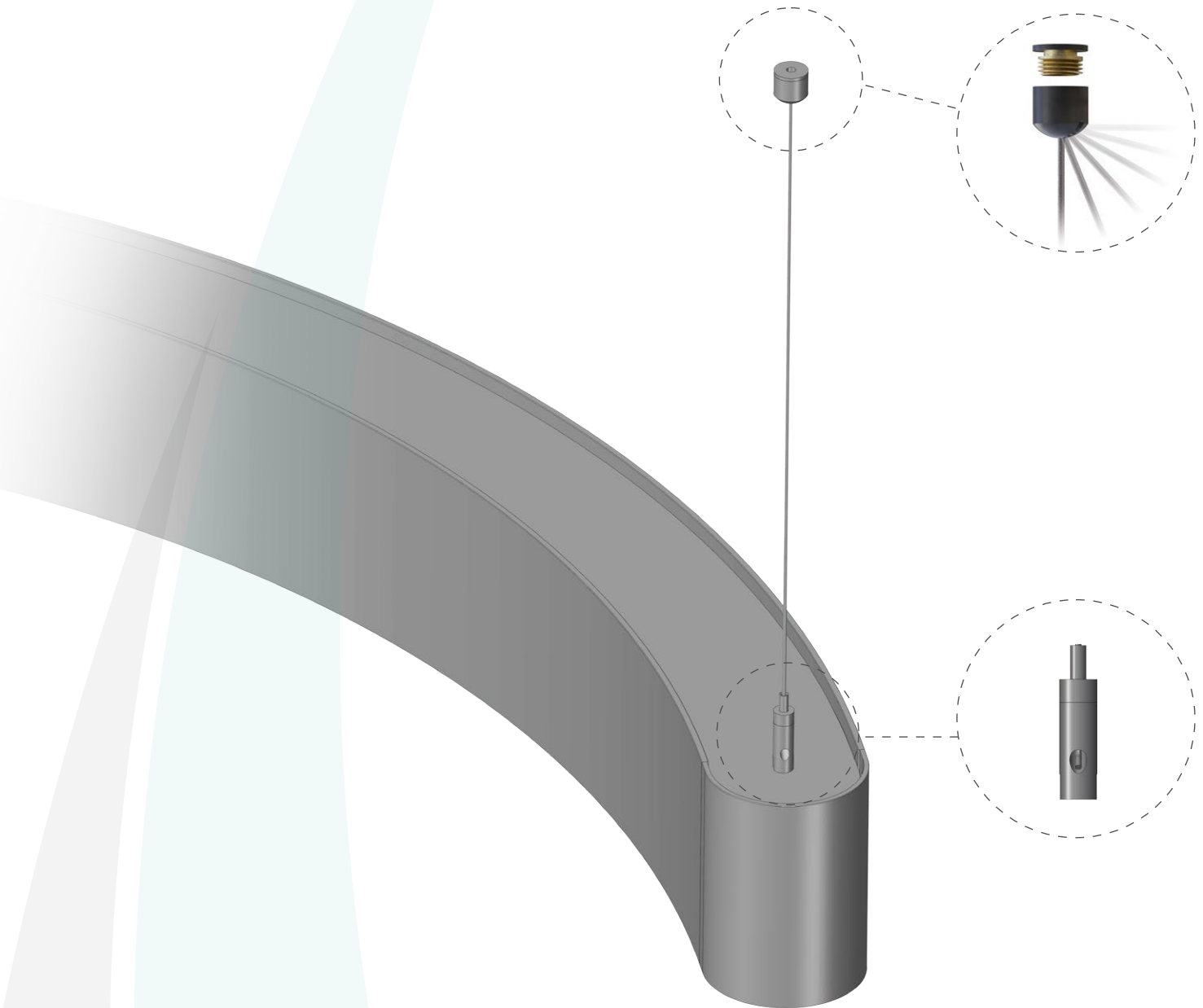
Soft Wiring with polarised plugs for easy interconnection of segments making loop the easiest curved profile on the market to install



XTA 2.5 LOOP SLOT

Rollerball Suspension

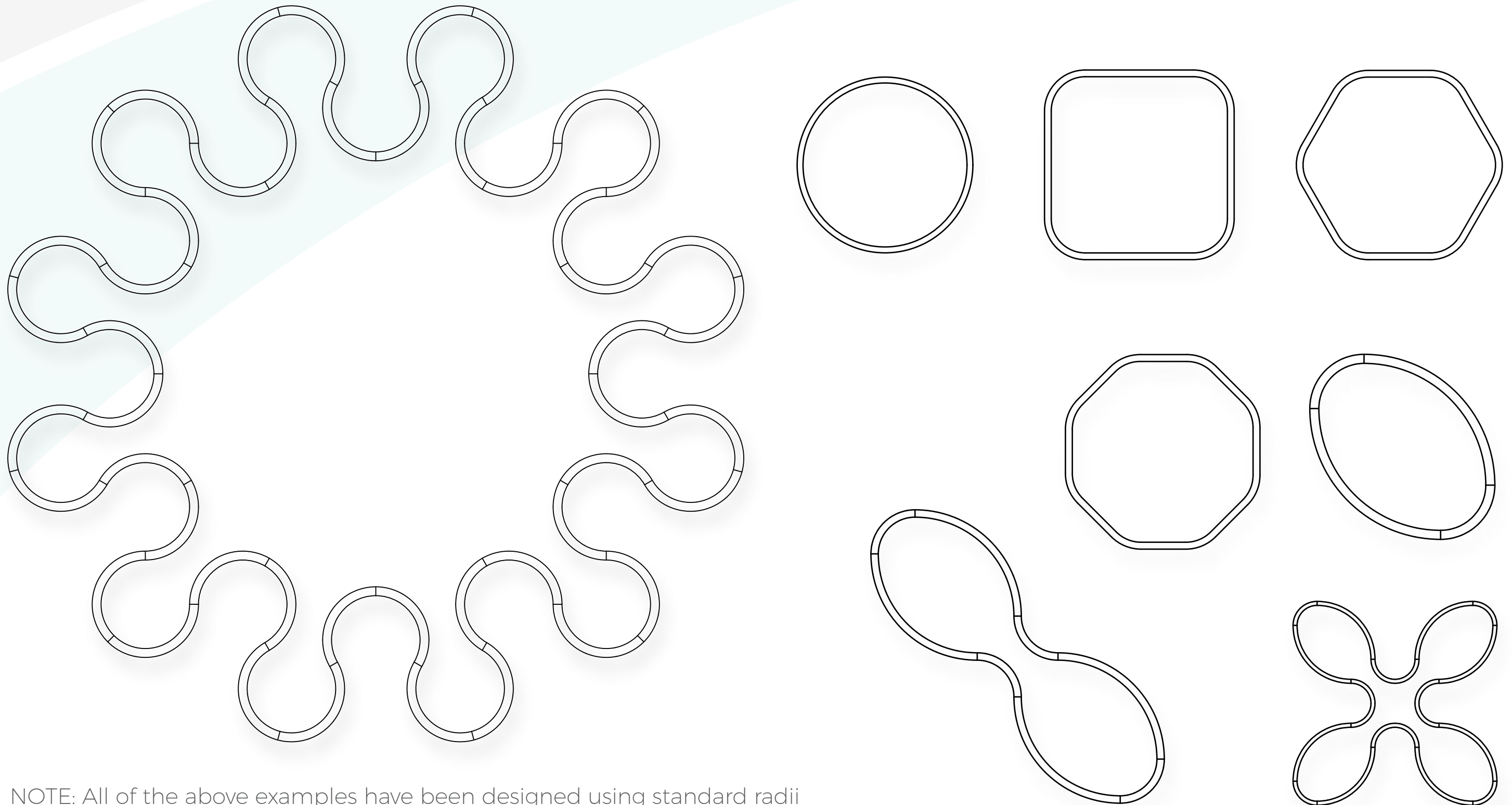
The smart suspension system that can be mounted on any surface whether a flat or sloped ceiling, or even a wall



XTA | 2.5 LOOP SLOT

Some examples of Shapes and Sizes

The LOOP series has the ability to form myriad of shapes and sizes from simple curved corners to the most complex configuration only limited by your imagination



NOTE: All of the above examples have been designed using standard radii



XTA | 2.5 Loop Slot

Install Template

Xero Loop profiles come with the mounting templates that allow for easy installation.

The template should be assembled on the floor and the position in the room checked against the reflected ceiling plan then suspension positions should be laser transferred to the ceiling for accurate positioning before installing. Individual sections 'click' together to create an exact template of the actual luminaire.

Ease of installation is just another standard from the leader in linear lighting innovation.



Shape illustrated is an example only.
Templates are supplied for all individual designs and shapes