



XTA | 2.5 Loop BEAM

Metric: 71 x 130mm
Imperial: 2.795" x 5.118"

Wire or Rod Suspended
Surface Mounted
Removable Diffusers
Light leak Free
Endplates and Joins

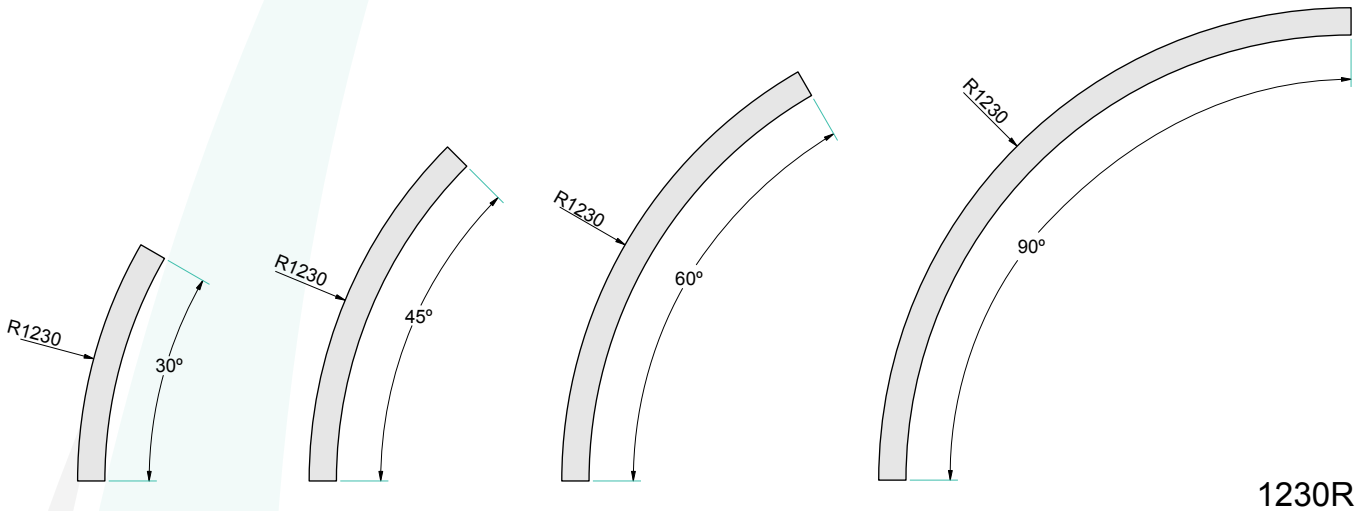


DATA TABLE

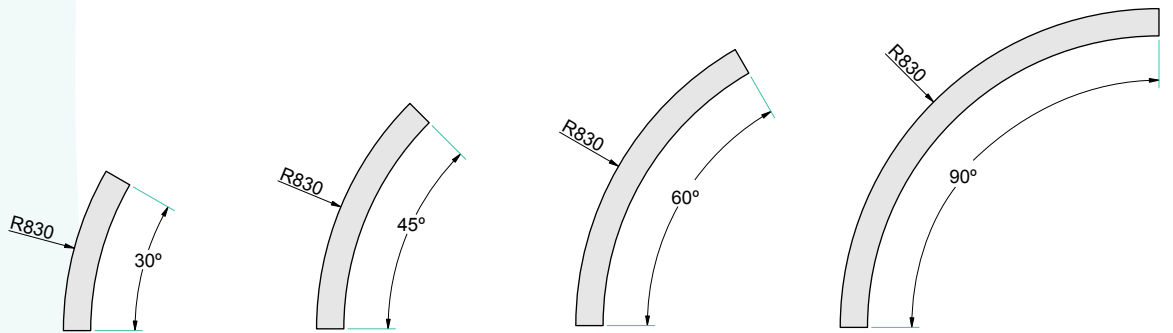
Optic Module LED Engine	4ft Length	Luminous Flux	LO	HO	
	1120mm	(Delivered Lumens)	1900	3500	
	Xeramix	CRI	80+		
		Lumen Maintenance:	114,000 Hours (L90 B10 @ 50°)		
	Proformax	CRI:	90+		
		Lumen Maintenance:	82,000 Hours (L80 B10 @ 35°)		
Warranty	Xeramix		10 years		
	Proformax		7 years		
Electrical	Power Consumption		Between 20 and 45w/m		
	Voltage Input Range		120 – 277V		
	Controls		0-10 volts / Dali Control Gear / DSI compatible / DMX / Dimmer switch / Constant light output / Motion sensor / Ripple free / Bluetooth mesh / Casambi control wireless system		
	Total Harmonic Distortion THD		9.8% max		
	Approvals		UL / CE / CCC / AS:NZS / EMC		
Physical	Dimensions		71 X 130mm		
	Weight Per Metre		4.6kg (10.14lbs) average weight		
	Housing		Aluminium Extrusion with standard silver powder-coat, black or white textured, (or) optional selected powder-coated finish		
	Upward Diffuser		Polycarbonate lens		
	Downward Diffuser		Frosted acrylic lens / Polycarbonate lens		
	Accessories		Various connection shapes available		
	Connections		Speed Connect joining system with polarised electrical connections between sections		
	Compatible ceiling type		Suitable for gyprock (drywall) ceilings, metal pan, concrete, timber and T-bar grid ceilings		
	Mounting		Field adjustable rollerball wire suspensions / rod suspensions / surface mount		
	Bend Radii		430R / 830R / 1230R as standard with custom radii available (No unlit)		
	Joiner Options		Lit corner 90% Cross 90% Tee 90% Straight 180° join		
	Endplate Options		Conseal flat or optional curved end plates		
	Operating Temperatures		Xeramix = -25°C to 50°C (-13°F to 140°F) Proformax = -25°C to 35°C (-13°F to 95°F)		
	Environment		Dry indoor applications only		
	Minimum Length Adjustment		Xeramix = 1mm Proformax = 25mm		
	LED Board Types		Xeramix LED boards in 25 / 100 / 280 / 560mm lengths Zhaga compatible Proformax LED boards in 50 / 280mm / 560mm lengths Zhaga compatible		
	Configurations		Down only / Up Down / Up only		

XTA | 2.5 LOOP BEAM

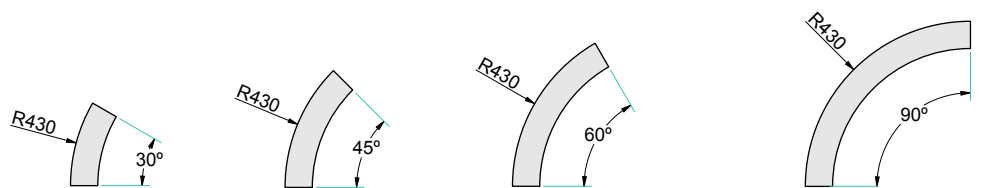
Standard Bend Options



1230R



830R



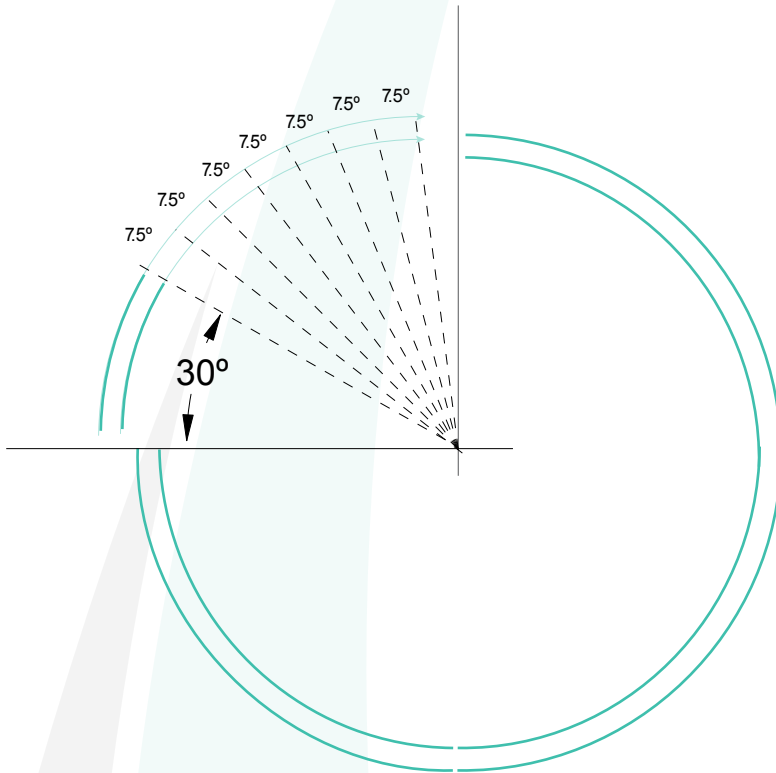
430R

*Other custom radii available on request

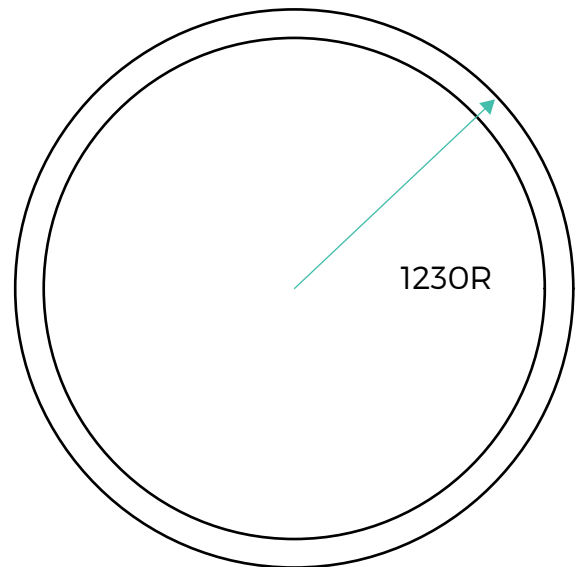
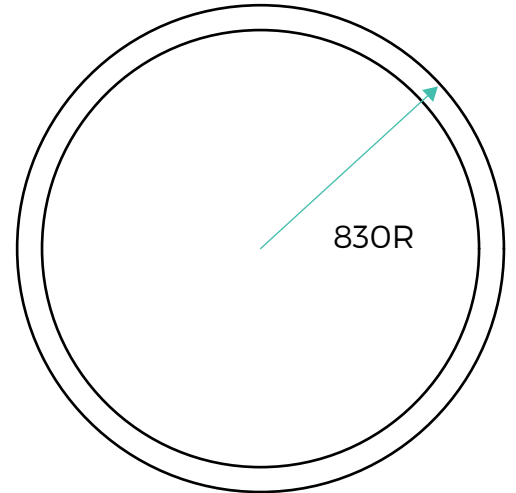
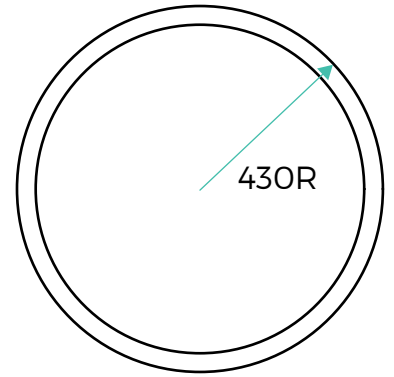
All radii bends can have integral drivers provided they join a straight section or are $\geq 1230R$

XTA 2.5 Loop BEAM

Standard Arc Options

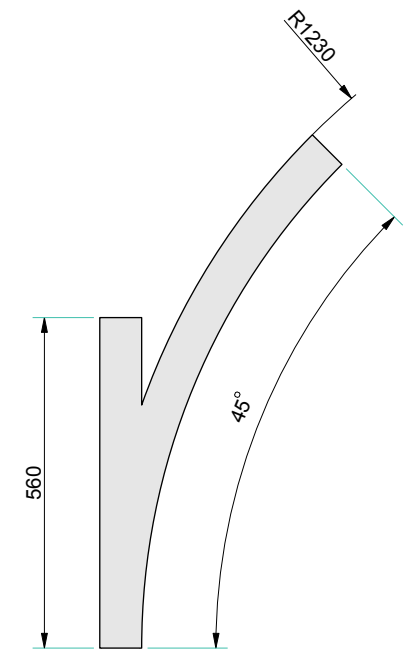
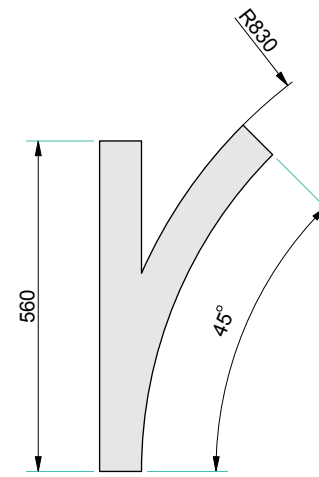
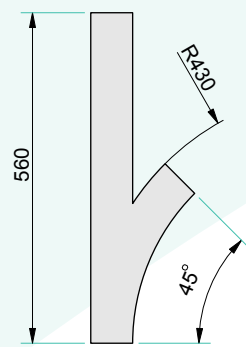


Minimum 30° segment
then each segment can be
increased in 7.5° increments
Arc segments below
1230R have remote drivers

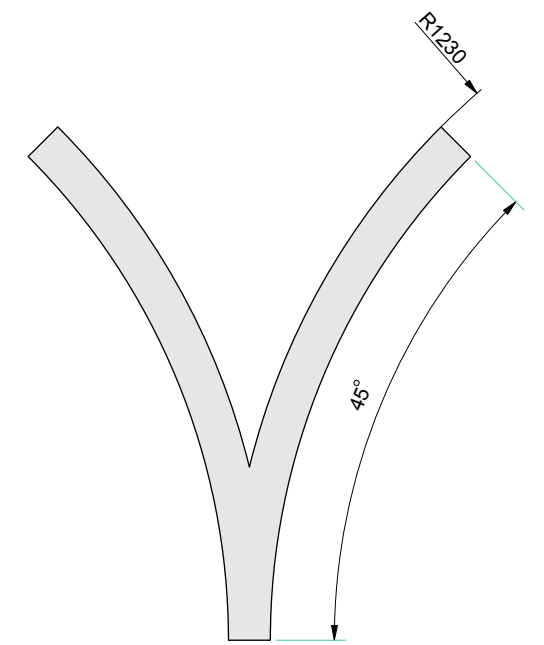
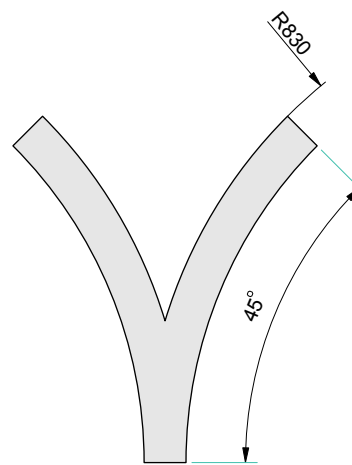
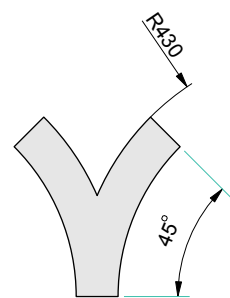


Other options available on request

XTA 2.5 LOOP BEAM Standard Connections



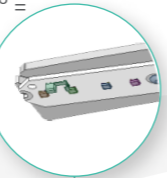
Y Bends



V Bends

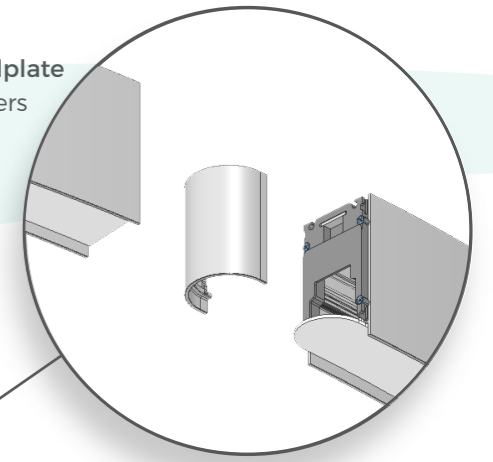
Other options available on request

50mm or 7.50° =
the industry's
smallest arc
adjustment



Axis removable gear-tray (*down only)
for quick and simple 'single person'
installation
(*Note: Geartray and diffuser are not removable for 'UP' light)

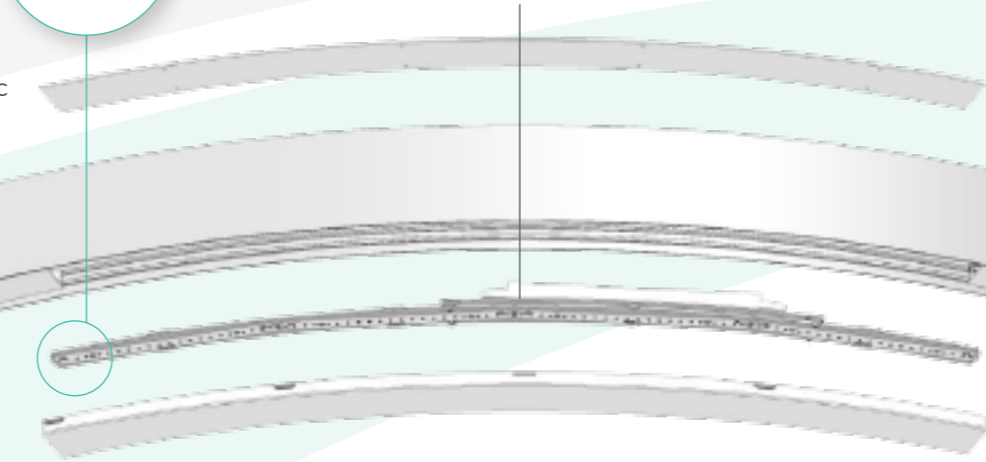
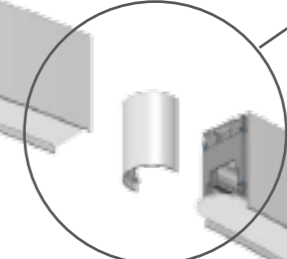
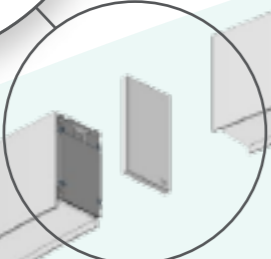
The **NEW Conseal curved endplate**
with 'magnetic snap' now offers
you the choice to suit
your next custom project



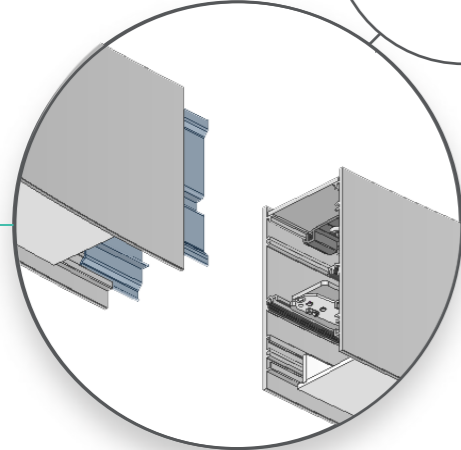
Conseal is a patented end plate
that is complete with 'magnetic
snap' cover plate that's nothing
short of impressive

**First of it's kind light
leak free system**

There are no light
leaks in the usual
places like
endplates, diffuser
expansion gaps
and at joins
where two or
more pieces are
connected
together. The
patented Lumi-
SEAL™ light leak
free system
incorporates the
SpeedConnect
Joining system
and the Conseal
endplate ensur-
ing no light leaks



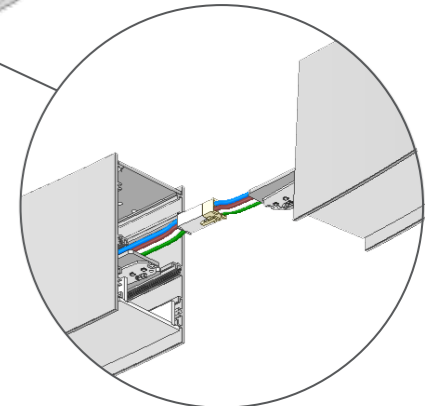
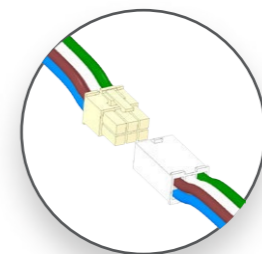
'Speed-Connect'
a fast easy to assemble
tool-less joining system
that minimises installation
time and additional skilled labour
and creates a light-leak free join.



Removable Diffuser
with magnetic retention
location locks



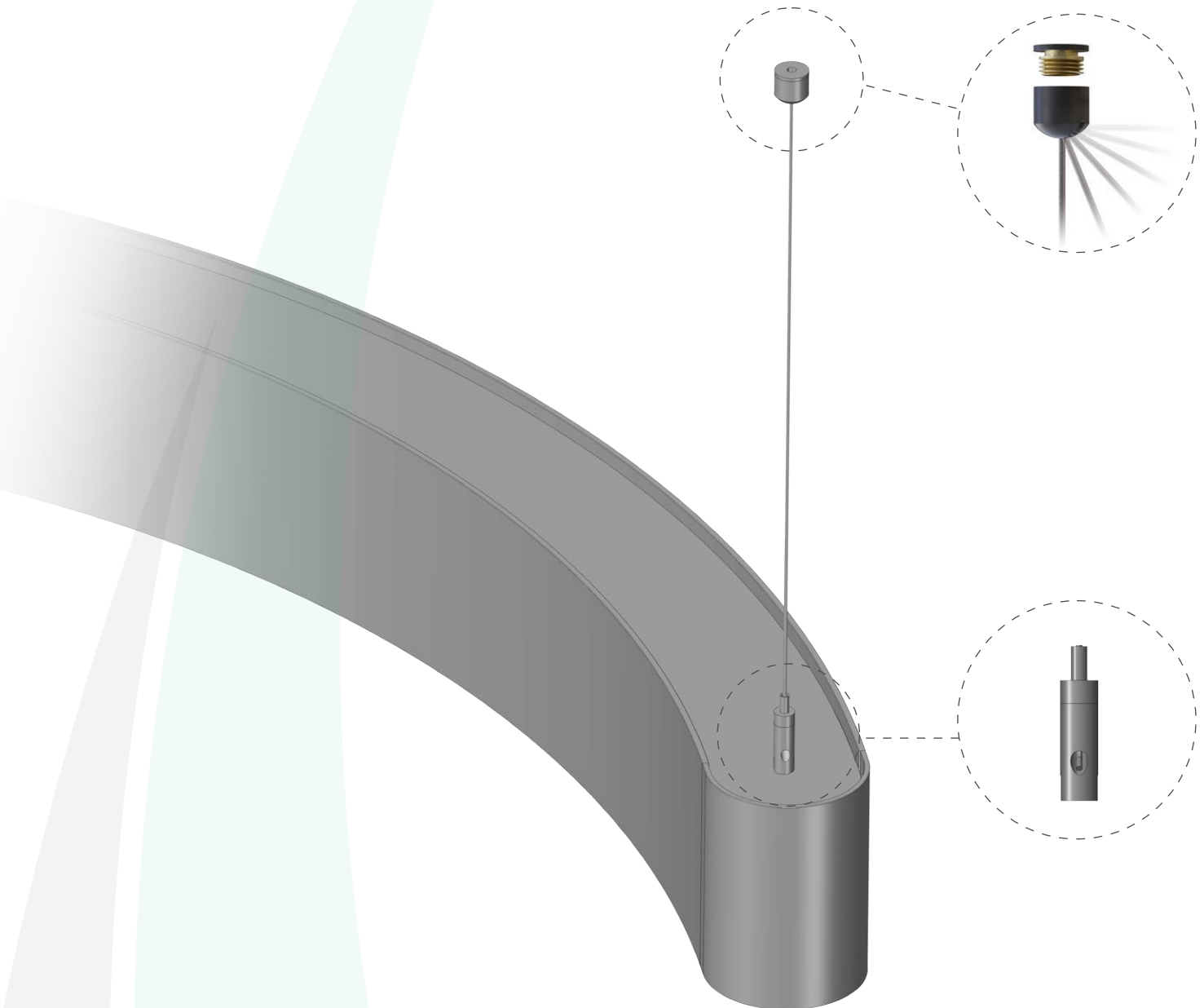
Soft Wiring
with polarised plugs for easy interconnection
of segments making loop the easiest curved
profile on the market to install



XTA | 2.5 LOOP BEAM

Rollerball Suspension

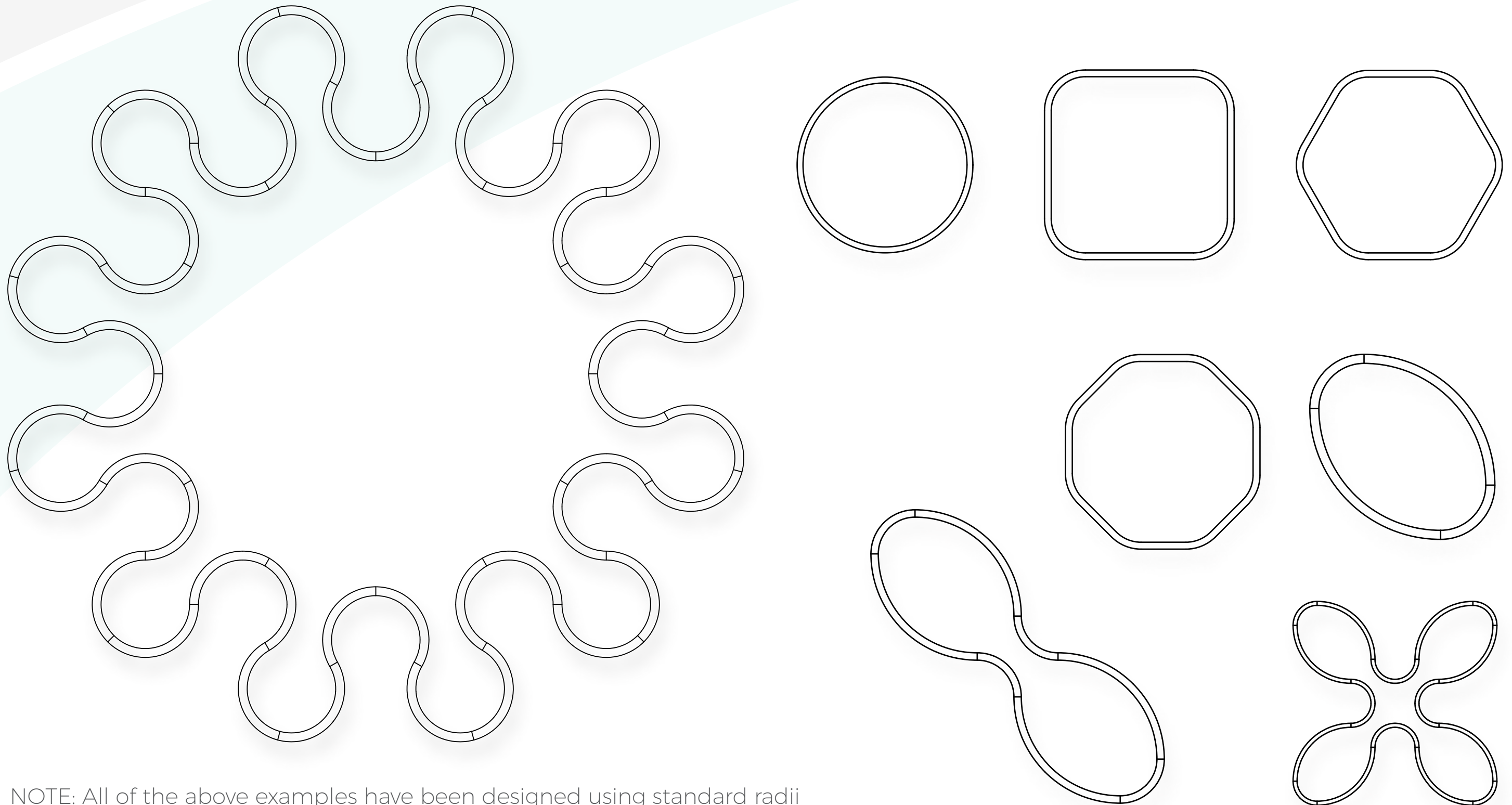
The smart suspension system that can be mounted on any surface whether a flat or sloped ceiling, or even a wall



XTA | 2.5 LOOP BEAM

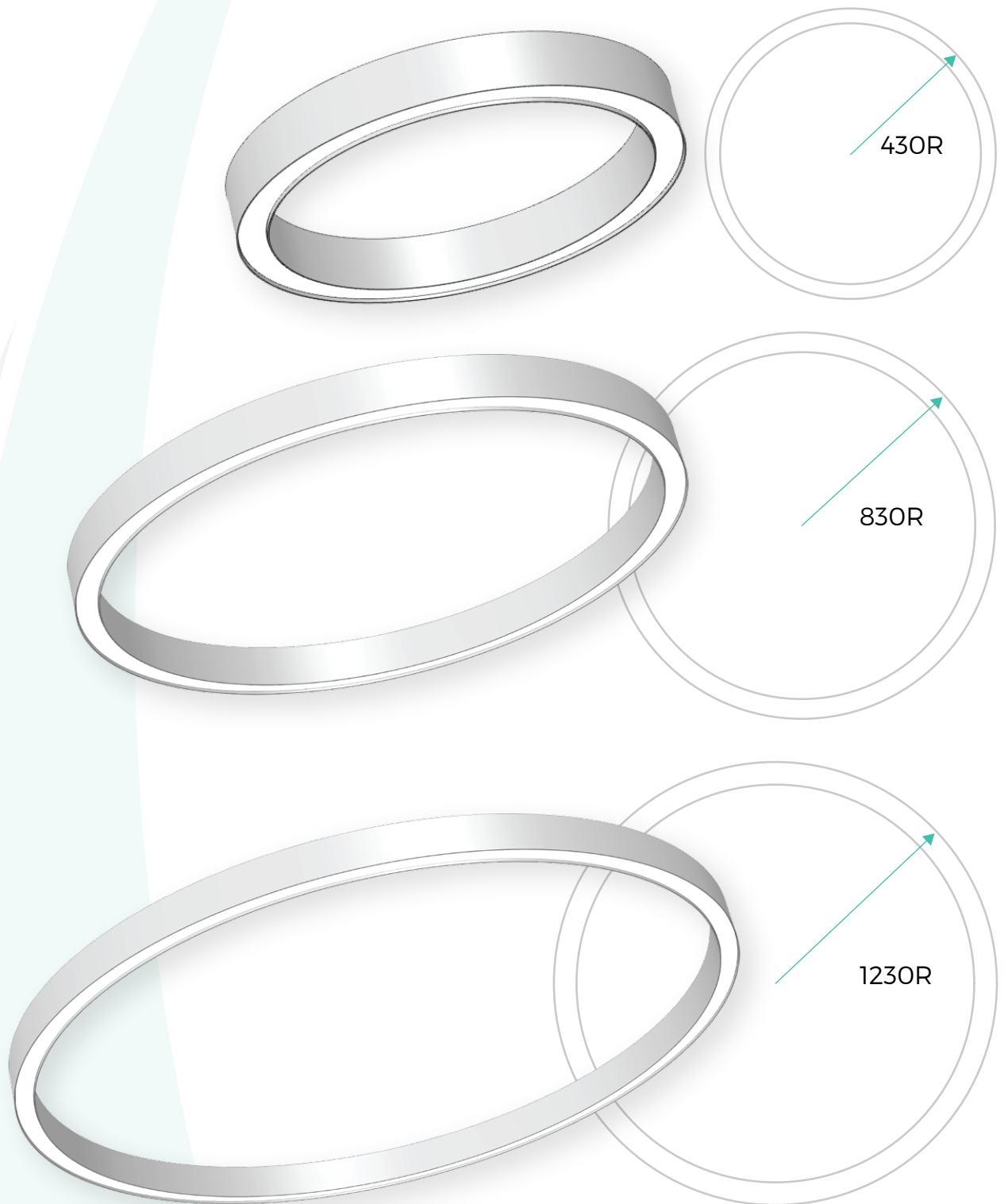
Some examples of Shapes and Sizes

The LOOP series has the ability to form myriad of shapes and sizes from simple curved corners to the most complex configuration only limited by your imagination



NOTE: All of the above examples have been designed using standard radii

XTA | 2.5 LOOP BEAM Standard Rings



Custom size rings available on request


XTA | 2.5 LOOP BEAM

Install Template

Xero Loop profiles come with the mounting templates that allow for easy installation.

The template should be assembled on the floor and the position in the room checked against the reflected ceiling plan then suspension positions should be laser transferred to the ceiling for accurate positioning before installing. Individual sections 'click' together to create an exact template of the actual luminaire.

Ease of installation is just another standard from the leader in linear lighting innovation.



Shape illustrated is an example only.
Templates are supplied for all individual designs and shapes