

XTA | 2.0 LoopSlot

Metric: 60x80mm
Imperial: 2.362" x 3.149"

- Wire or Rod Suspended
- Surface Mounted
- Removable Diffusers
- Light Leak Free Endplates & Joins

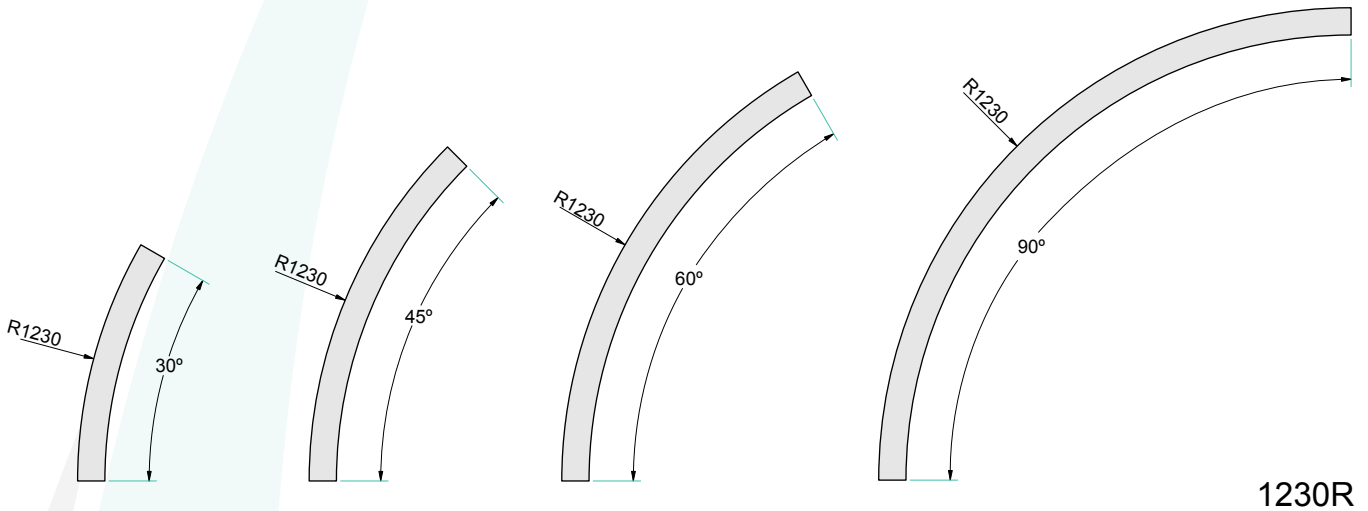


Data Table

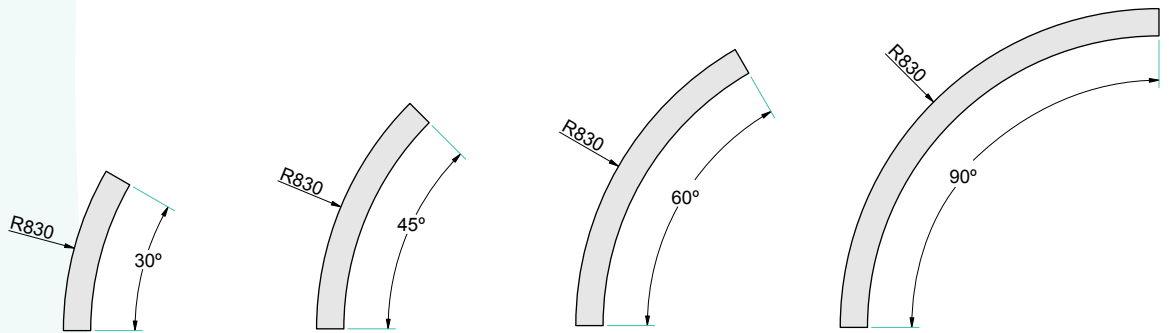
Optic Module LED Engine	4ft Length 1120mm	Luminous Flux (Delivered Lumens)	LO 1900	HO 3500	
	Xeramix	CRI	80+		
	Lumen Maintenance:	114,000 Hours (L90 B10 @ 50°)			
Proformax	CRI:	90+			
	Lumen Maintenance:	82,000 Hours (L80 B10 @ 35°)			
Warranty	Xeramix	10 years			
	Proformax	7 years			
Electrical	Power Consumption	Between 20 and 45w/m			
	Voltage input range	120 – 277V			
	Controls	0-10 volts / Dali Control Gear / DSI compatible / DMX / Dimmer switch / Constant light output / Motion sensor / Ripple free / Bluetooth mesh / Casambi control wireless system			
	Total harmonic distortion THD	9.8% max			
	Approvals	UL / CE / CCC / AS:NZS / EMC			
Physical	Dimensions	60 X 80mm			
	Weight per metre	3.7kg (8.15lbs) average weight			
	Housing	Aluminium Extrusion with standard silver powder-coat, black or white textured, (or) optional selected powder-coated finish			
	Diffuser	Frosted acrylic lens / Polycarbonate lens			
	Accessories	Various connection shapes available			
	Connections	Speed connect joining system with the polarised electrical connection between sections			
	Compatible ceiling type	Suitable for gyprock (drywall) ceilings, metal pan, concrete, timber and T-bar grid ceilings			
	Mounting	Field adjustable rollerball wire suspensions / rod suspensions / wall mounting / surface mount			
	Bend Radii	430R / 830R / 1230R as standard with custom radii available (No unlit)			
	Joiner options	Lit corner 90° / Cross 90° / Tee 90° / straight 180° join			
	Endplate Options	Conseal flat or optional curved end plates			
	Operating temperatures	Xeramix = -25°C to 50°C (-13°F to 140°F) Proformax = -25°C to 35°C (-13°F to 95°F)			
	Environment	Dry indoor applications only			
	Minimum length adjustment	Xeramix = 1mm Proformax = 25mm			
	LED Board types	Xeramix LED boards in 25 / 100 / 280 / 560mm lengths Zhaga compatible Proformax LED boards in 50 / 280mm / 560mm lengths Zhaga compatible			
Configurations	Down only				

XTA | 2.0 LOOP SLOT

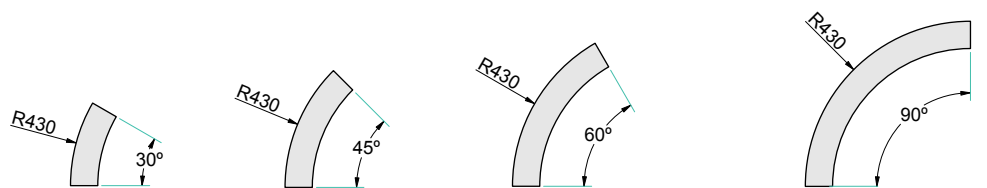
Standard Bend Options



1230R



830R



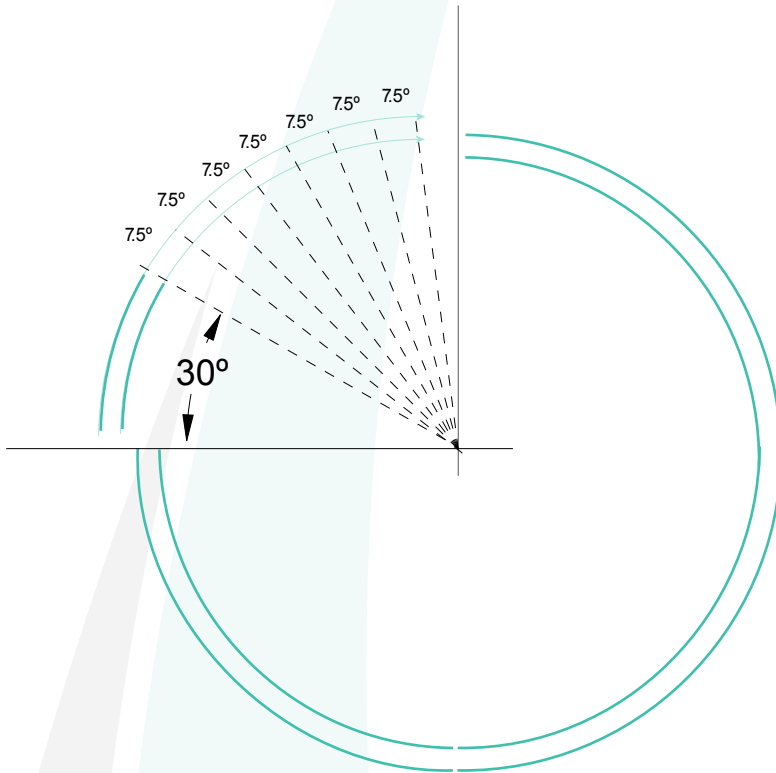
430R

*Other custom radii available on request

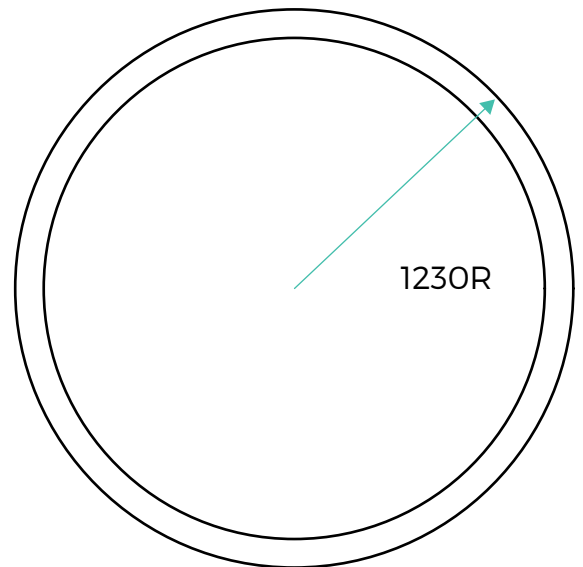
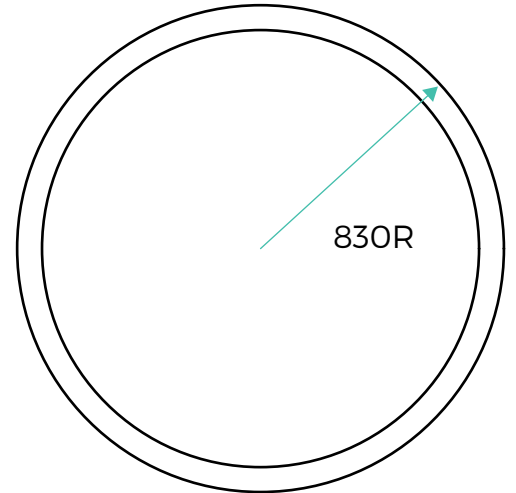
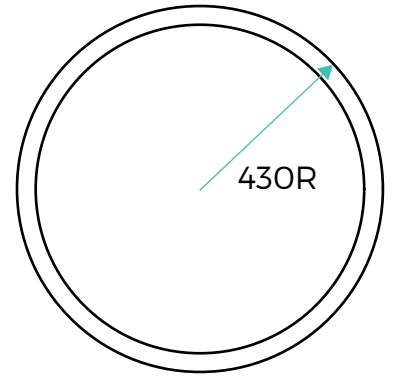
All radii bends can have integral drivers provided they join a straight section or are $\geq 1230R$

XTA | 2.0 LOOP SLOT

Standard Arc Options

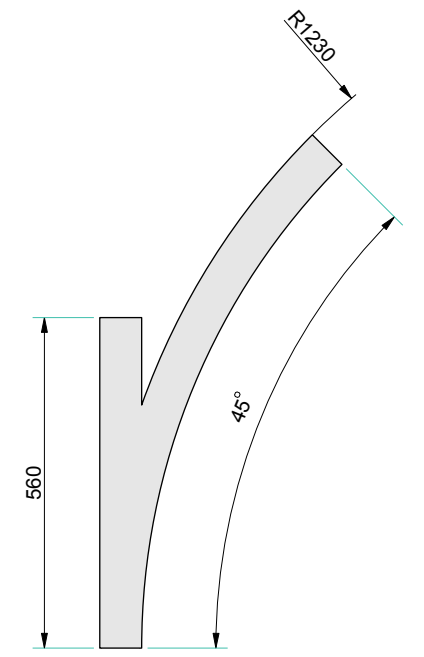
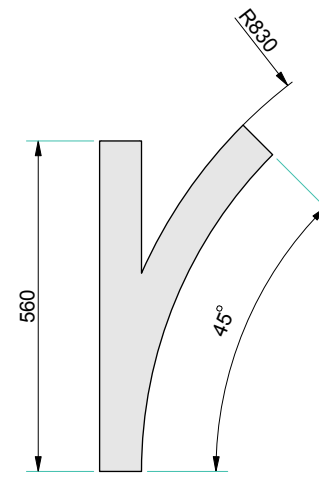
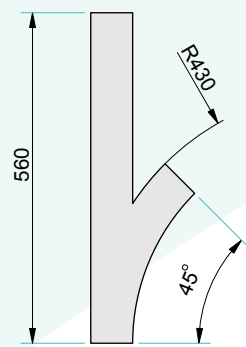


Minimum 30° segment
then each segment can be
increased in 7.5° increments
Arc segments below
1230R have remote drivers

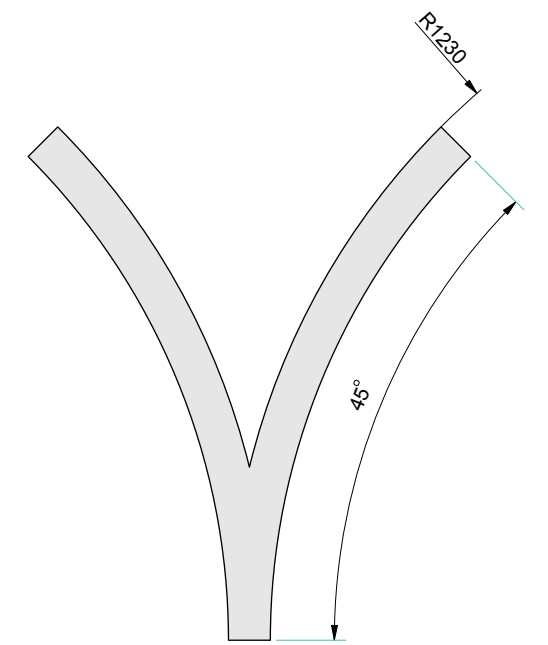
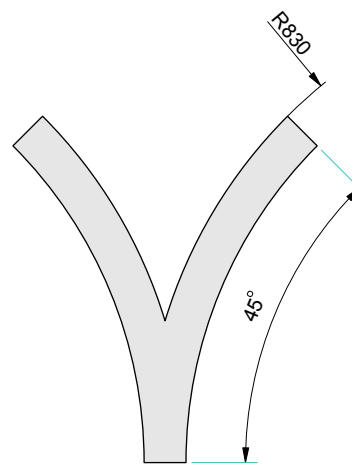
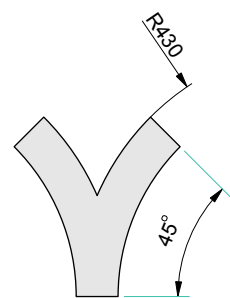


Other options available on request

XTA 2.0 LOOP SLOT Standard Connections



Y Bends



V Bends

Other options available on request

Conseal is a patented end plate that is complete with 'magnetic snap' cover plate that's nothing short of impressive

50mm or 7.50° = the industry's smallest arc adjustment

Axis removable gear-tray for quick and simple 'single person' installation

The **NEW Conseal curved endplate** with 'magnetic snap' now offers you the choice to suit your next custom project

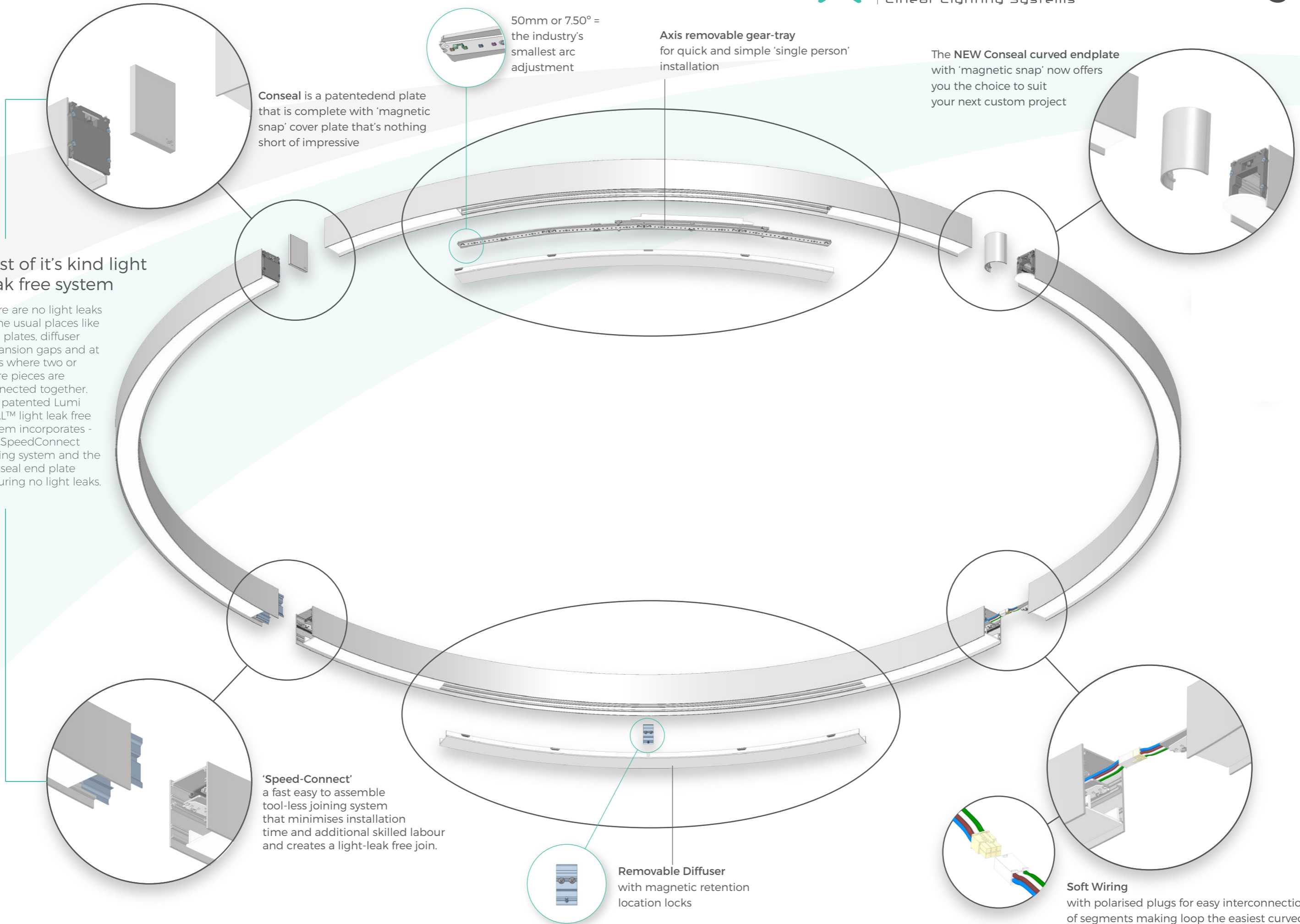
First of it's kind light leak free system

There are no light leaks in the usual places like end plates, diffuser expansion gaps and at joins where two or more pieces are connected together. The patented Lumi SEAL™ light leak free system incorporates - the SpeedConnect joining system and the Conseal end plate ensuring no light leaks.

'Speed-Connect' a fast easy to assemble tool-less joining system that minimises installation time and additional skilled labour and creates a light-leak free join.

Removable Diffuser with magnetic retention location locks

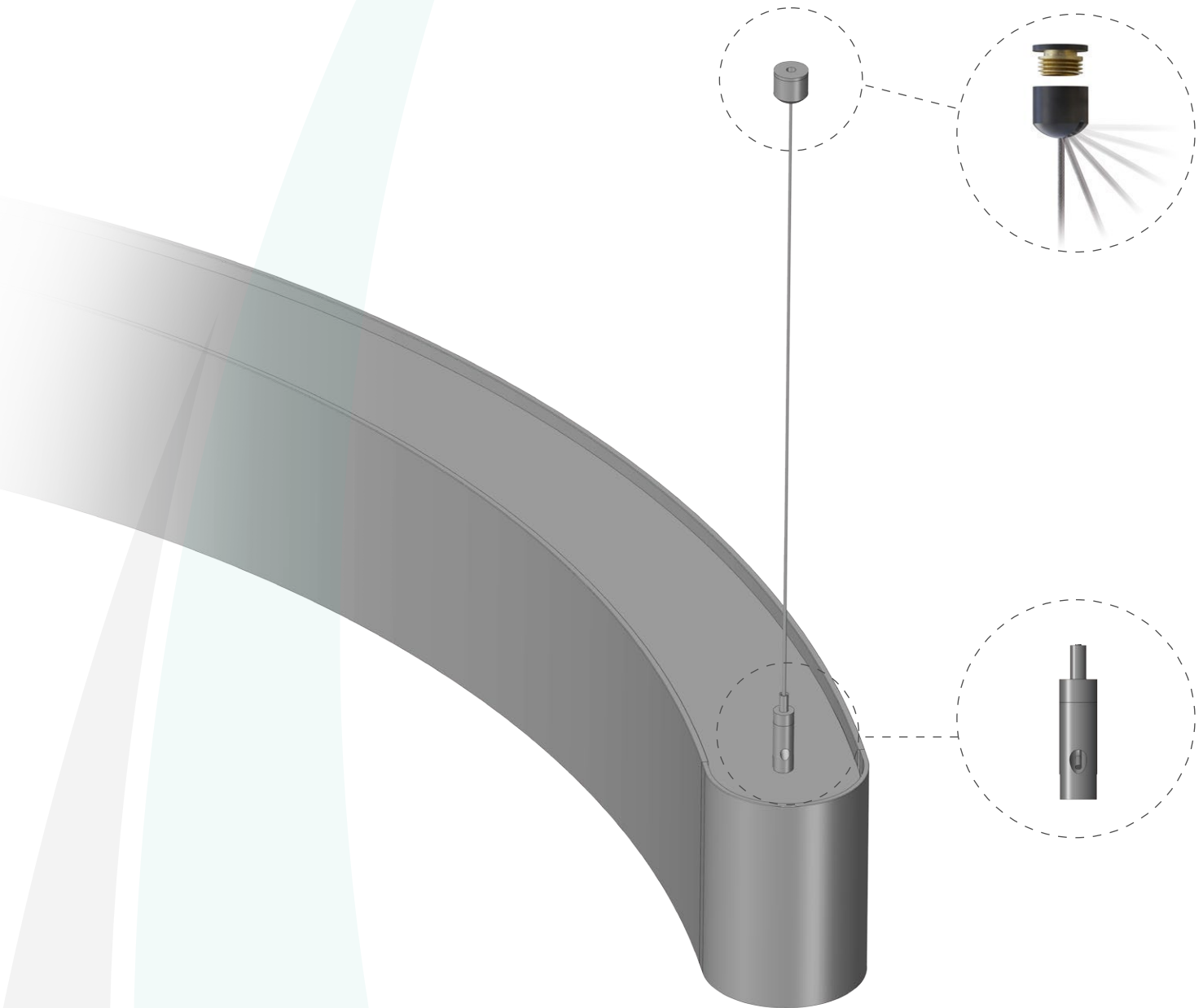
Soft Wiring with polarised plugs for easy interconnection of segments making loop the easiest curved profile on the market to install



XTA | 2.0 LOOP SLOT

Rollerball Suspension

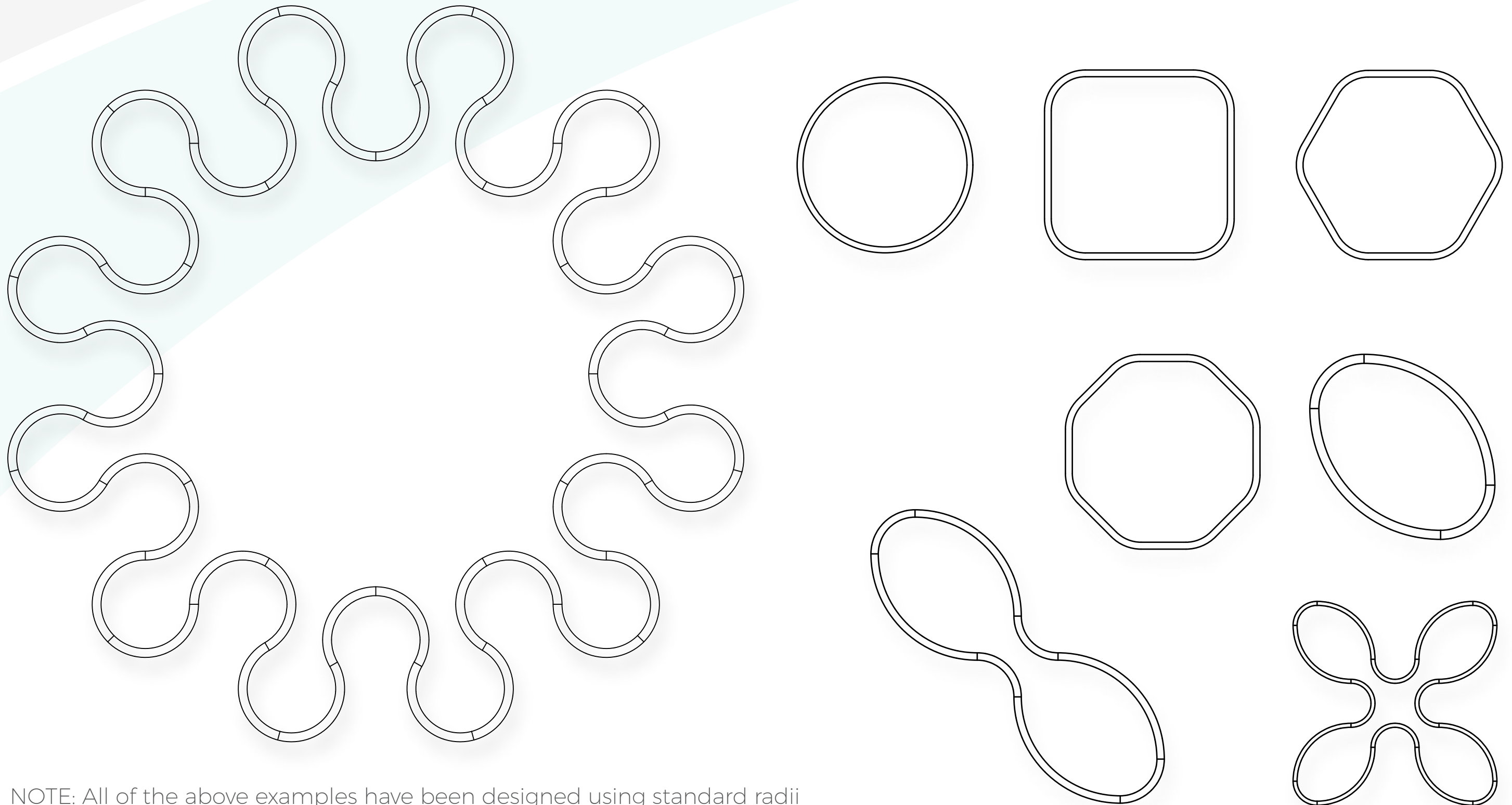
The smart suspension system that can be mounted on any surface whether a flat or sloped ceiling, or even a wall



XTA | 2.0 LOOP SLOT

Some examples of Shapes and Sizes

The LOOP series has the ability to form myriad of shapes and sizes from simple curved corners to the most complex configuration only limited by your imagination




NOTE: All of the above examples have been designed using standard radii

XTA | 2.0 LOOP SLOT Install Template

Xero Loop profiles come with mounting templates that allow for easy installation.

The template should be assembled on the floor and the position in the room checked against the reflected ceiling plan then suspension positions should be laser transferred to the ceiling for accurate positioning before installing. Individual sections 'click' together to create an exact template of the actual luminaire.

Ease of installation is just another standard from the leader in linear lighting innovation.



Shape illustrated is an example only.
Templates are supplied for all individual designs and shapes