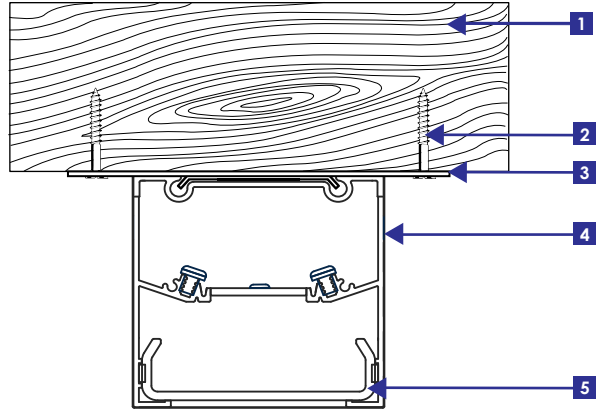


INSTALLATION INSTRUCTION

- 1 Support structure
- 2 Fasteners
- 3 Mounting Plate
- 4 Profile
- 5 Diffuser



1

*Flush surface mount

XTI Profile

Suspension Plan

NOTE: Fasteners are **NOT** supplied

*Note: The Flush Surface mount comes assembled with the XTI profile

2

Determine mounting location

3

Position luminaire and mark mounting holes

4

Remove luminaire and drill pilot holes for mounting

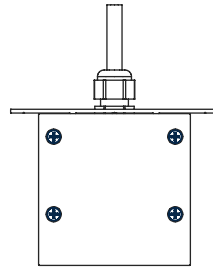
5

Connect Luminaire to power supply

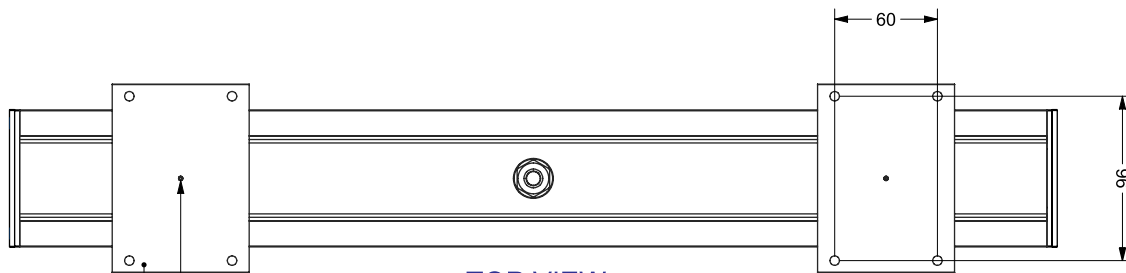
6

Return luminaire to installation location and fix through mounting brackets

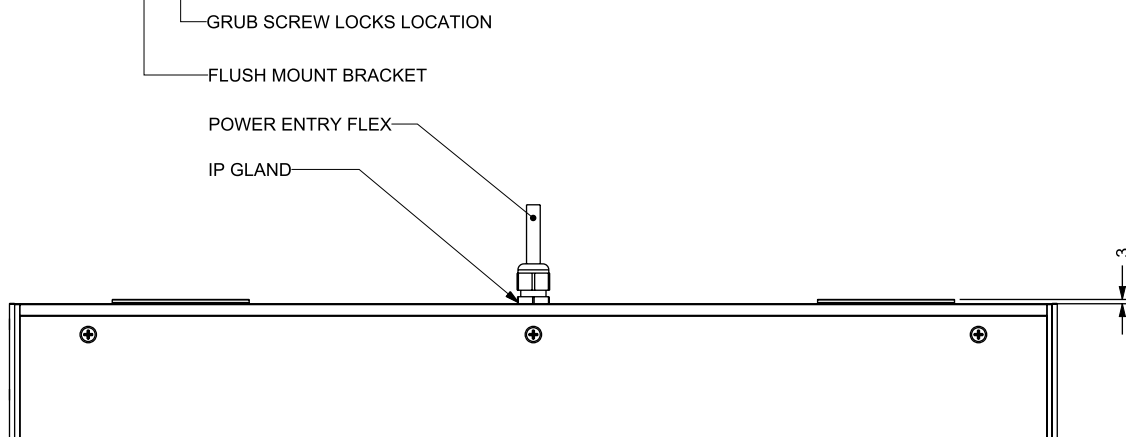
XTI FLUSH MOUNT BRACKET DIMENSIONS



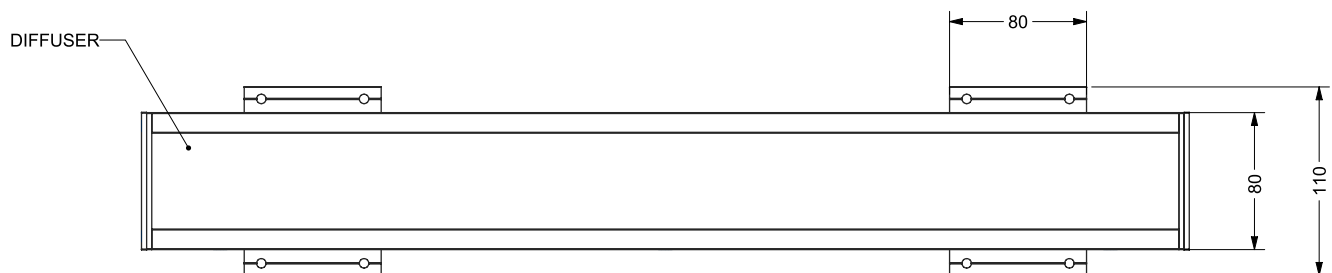
END VIEW



TOP VIEW



FRONT VIEW



UNDERSIDE VIEW

If more information is required please contact you local representative by going to xerolighting.com/contacts or email us at headoffice@xerolighting.com