

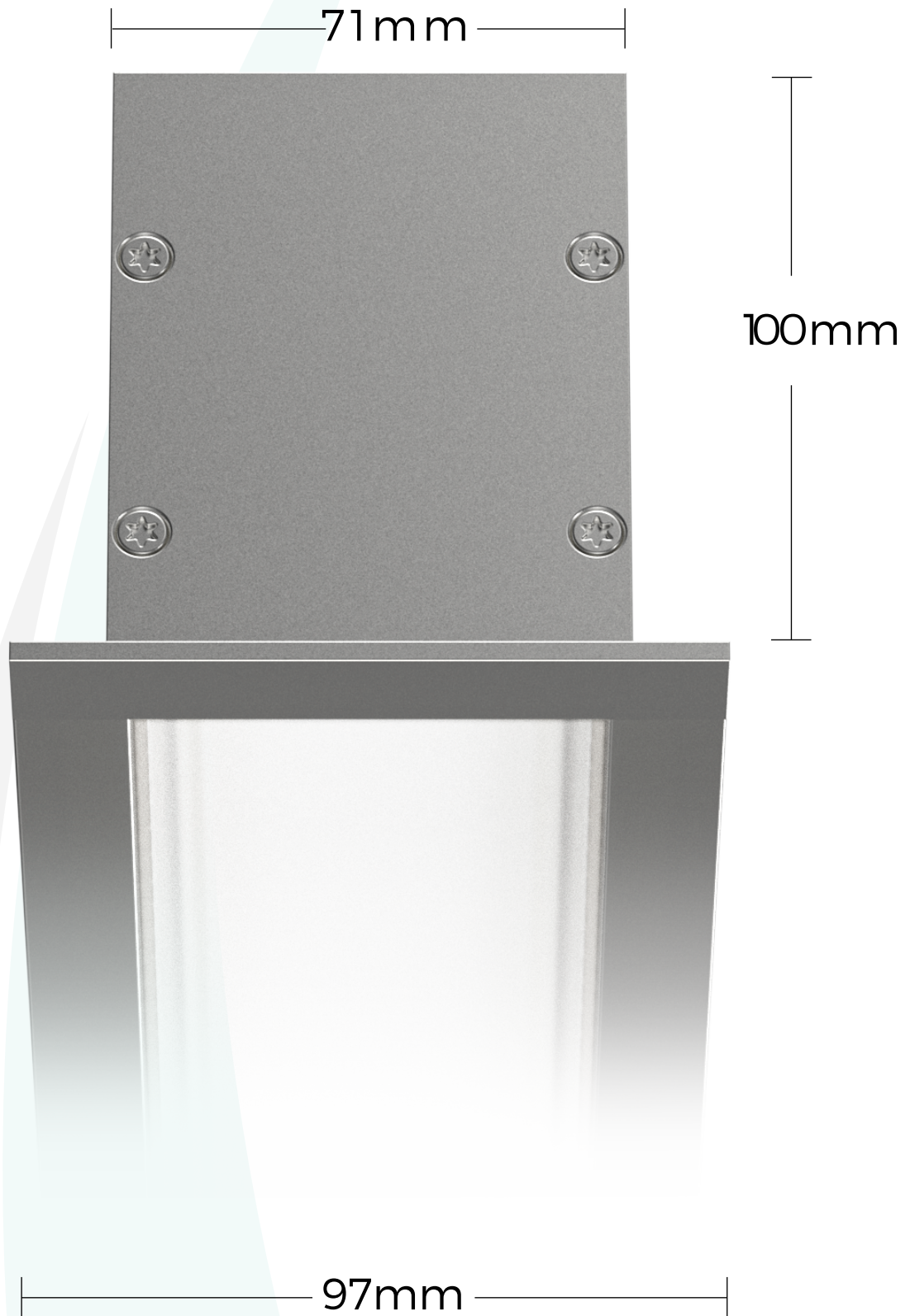


XTA | 2.5 Loop Recessed

iD55



XTA | 2.5 Loop Recessed IP55

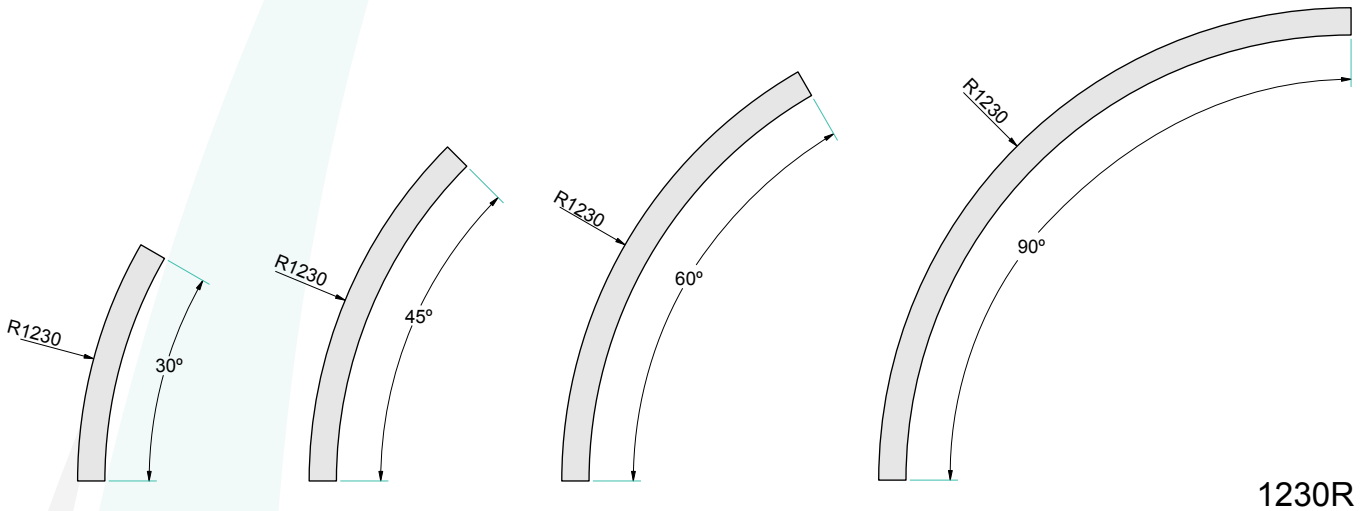


Data Table

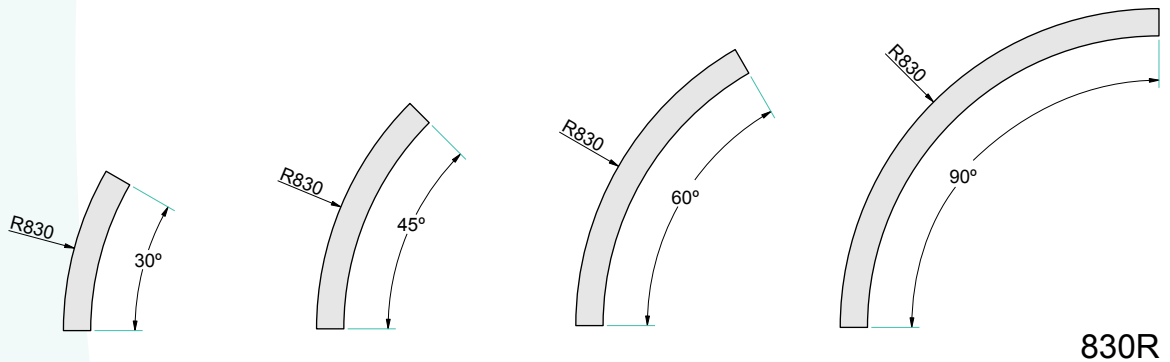
XTA 2.5 Loop Recessed IP55				
LED Engine	4ft Length 1120mm	Luminous Flux (Delivered Lumens)	LO 1900	HO 3500
	Xeramix	CRI	80+	
		Lumen Maintenance:	114,000 Hours (L90 B10 @ 50°)	
	Proformax	CRI	90+	
Lumen Maintenance:		82,000 Hours (L80 B10 @ 35°)		
Warranty	Xeramix	10 Years		
	Proformax	7 Years		
Electrical	Power Consumption	Between 20 and 45w/m		
	Voltage input range	120 – 277V		
	Controls	0-10 volts / Dali Control Gear / DSI compatible / DMX / Dimmer switch / Constant light output / Motion sensor / Ripple free / Bluetooth mesh / Casambi control wireless system		
	Total harmonic distortion THD	9.8% max		
	Approvals	UL / CE / CCC / AS:NZS / EMC		
Physical	Dimensions	71mm wide (including flange 97mm) x 100mm high		
	Weight per metre	4.1 kg (9.03lbs) average weight		
	Housing	Aluminium extrusion / powder-coated finish only		
	Diffuser	Frosted acrylic Plexiglass lens		
	Accessories	Emergency Packs		
	Connections	Polarised electrical connection between sections		
	Compatible ceiling type	Suitable for gyprock (drywall) ceilings, metal pan, concrete, timber and T-bar grid ceilings		
	Mounting	Gyprock clips as standard		
	Bend Radii	830R / 1230R as standard with custom radii available		
	Operating temperatures	Xeramix = -25°C to 35°C (-13°F to 95°F) Proformax = -25°C to 35°C (-13°F to 95°F)		
	Environment	IP55 Direct (Not in direct sunlight) (Note: Luminaire top IP50)		
	Minimum length adjustment	Xeramix = 1 mm Proformax = 25mm		
	LED Board types	Xeramix LED boards in 25 / 100 / 280 / 560mm lengths Zhaga compatible Proformax LED boards in 50 / 280mm / 560mm lengths Zhaga compatible		
	Configurations	Down only		

XTA | 2.5 Loop Recessed IP55

Standard Bend Options



1230R



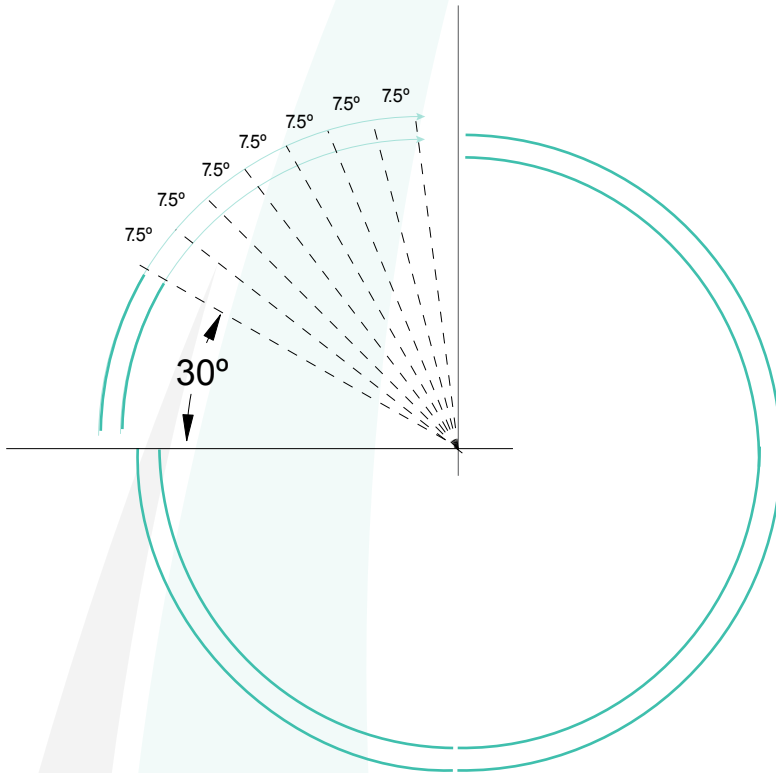
830R

*Other custom radii available on request

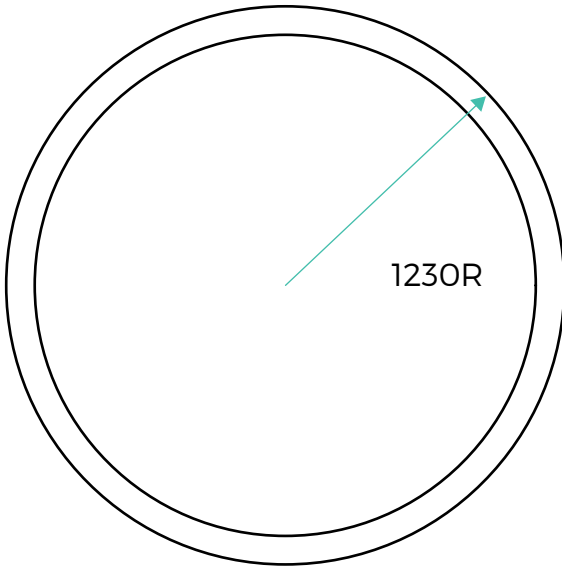
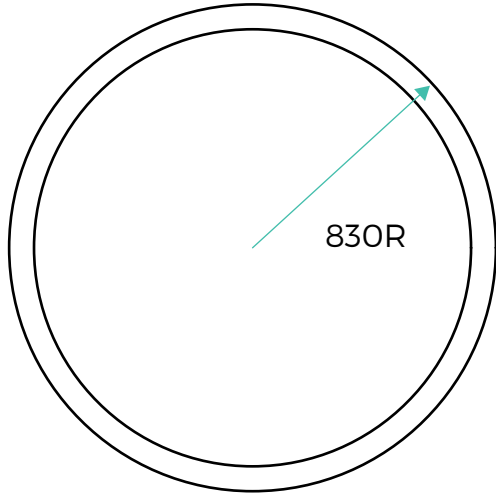
All radii bends can have integral drivers provided they join a straight section or are $\geq 1230R$

XTA | 2.5 Loop Recessed IP55

Standard Arc Options



Minimum 30° segment
then each segment can be
increased in 7.5° increments
Arc segments below
1230R have remote drivers



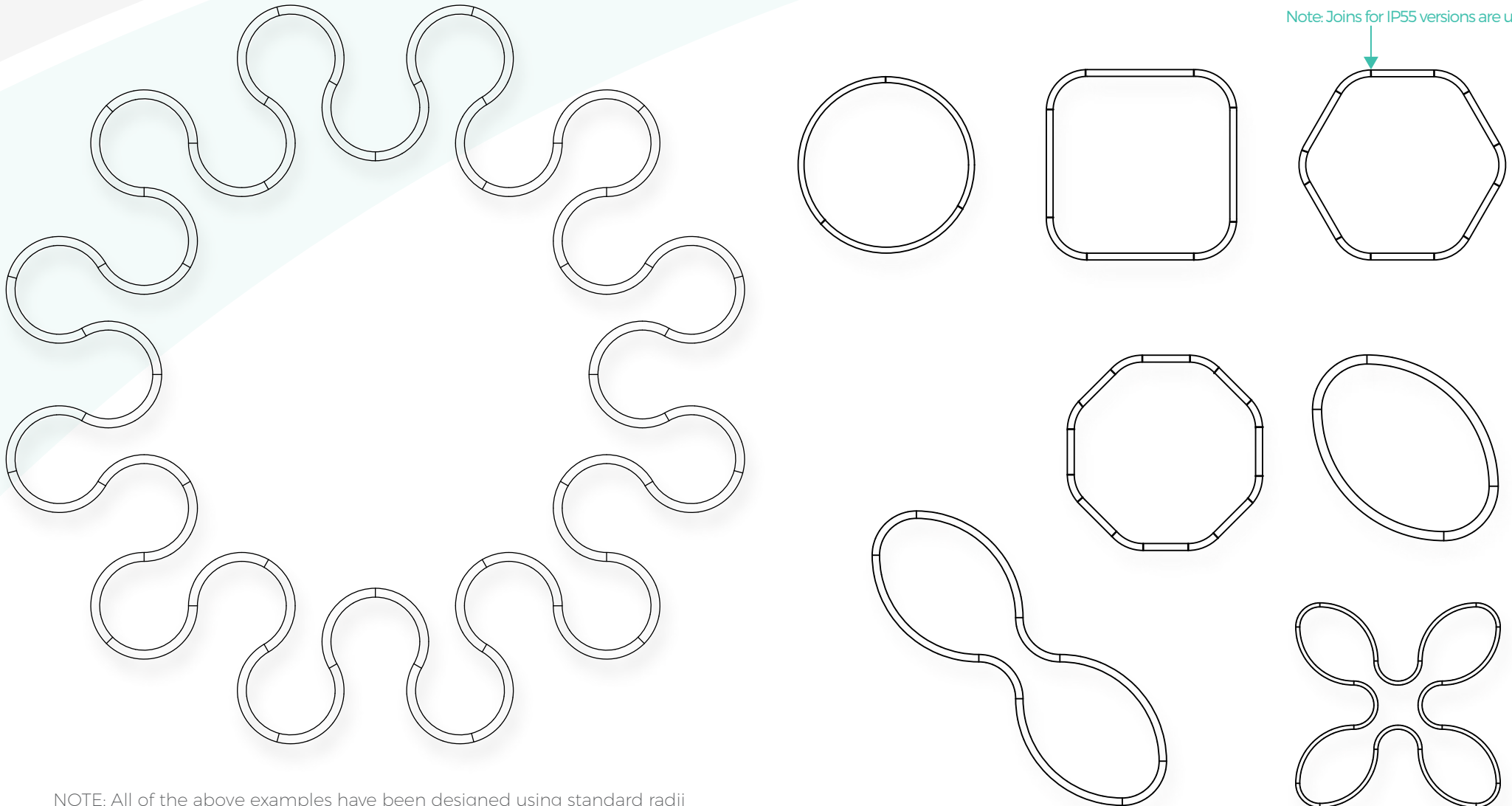
Other options available on request

XTA | 2.5 Loop Recessed IP55

Some examples of Shapes and Sizes

The LOOP series has the ability to form myriad of shapes and sizes from simple curved corners to the most complex configuration only limited by your imagination.

Note: Joins for IP55 versions are unlit



NOTE: All of the above examples have been designed using standard radii

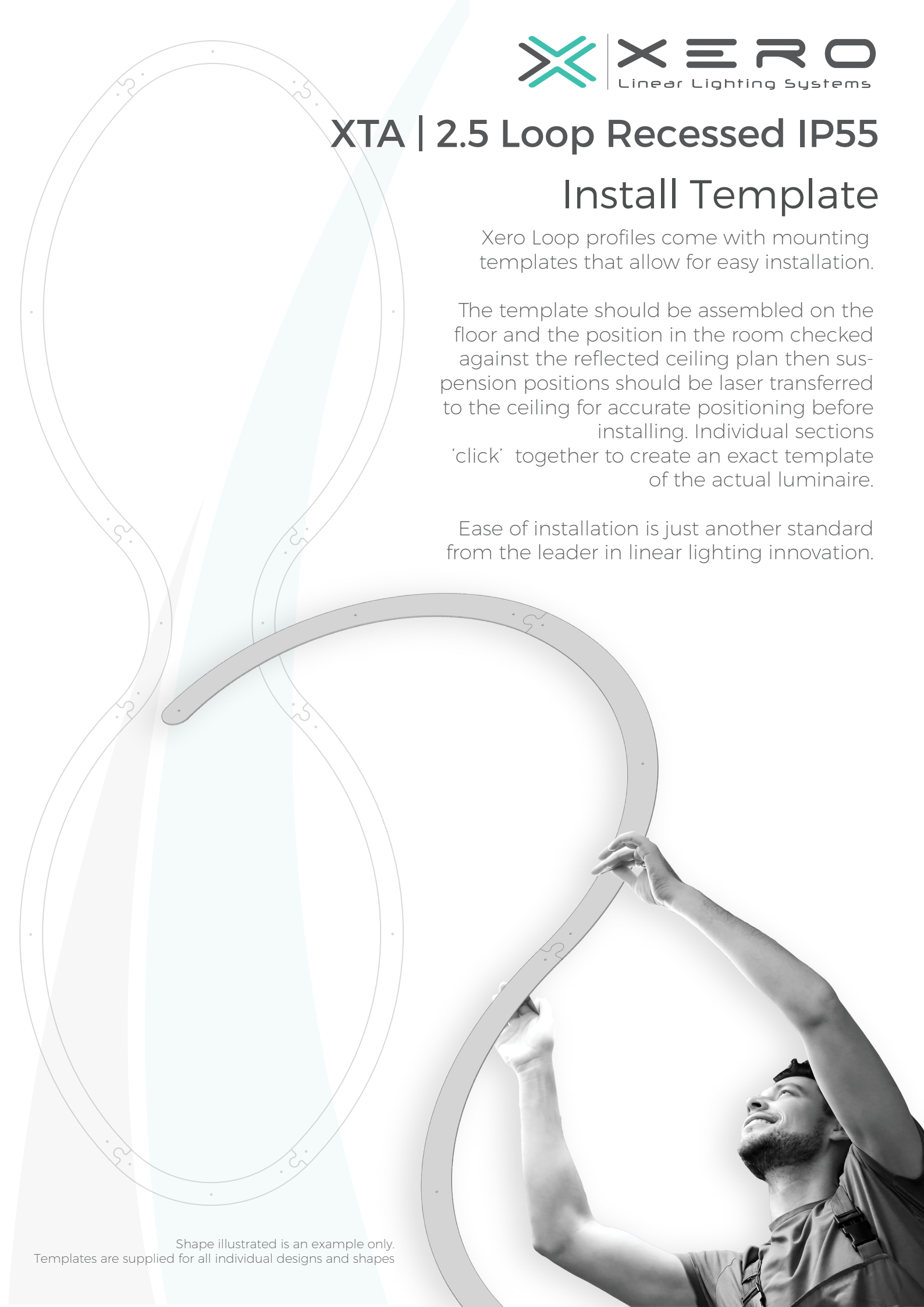
XTA | 2.5 Loop Recessed IP55

Install Template

Xero Loop profiles come with mounting templates that allow for easy installation.

The template should be assembled on the floor and the position in the room checked against the reflected ceiling plan then suspension positions should be laser transferred to the ceiling for accurate positioning before installing. Individual sections 'click' together to create an exact template of the actual luminaire.

Ease of installation is just another standard from the leader in linear lighting innovation.



Shape illustrated is an example only.
Templates are supplied for all individual designs and shapes