

XERO
TECHNOLOGY
INFRASTRUCTURE



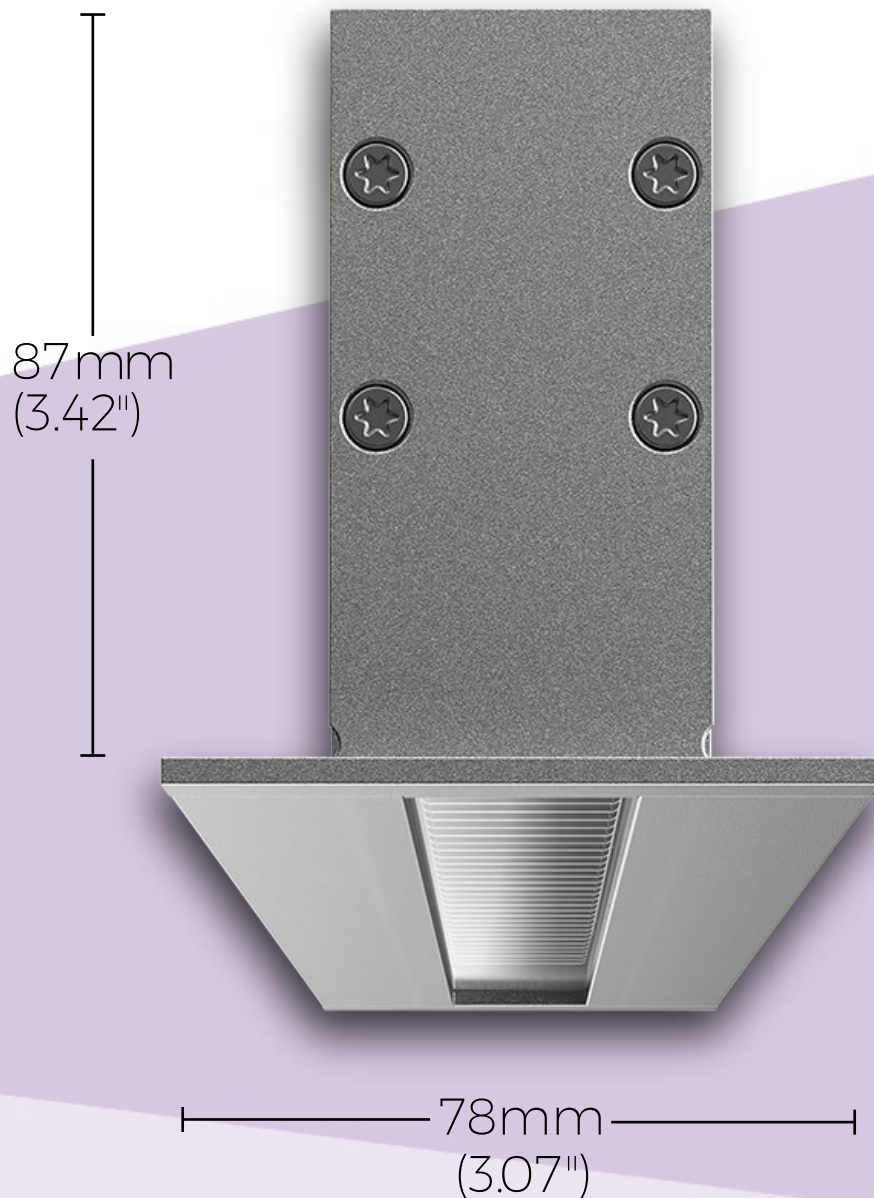
XTI | OPTIK WF Recssed
(Wide Flange)

IK11 | IP66

Metric | 78 x 87mm
Imperial | 3.07" x 3.42"



XTI | 1.5 OPTIK WF Reccesed
(Wide Flange)
IP66 | IK11



XTI | 1.5 OPTIK WF Recessed
(Wide Flange)
IP66 | IK11

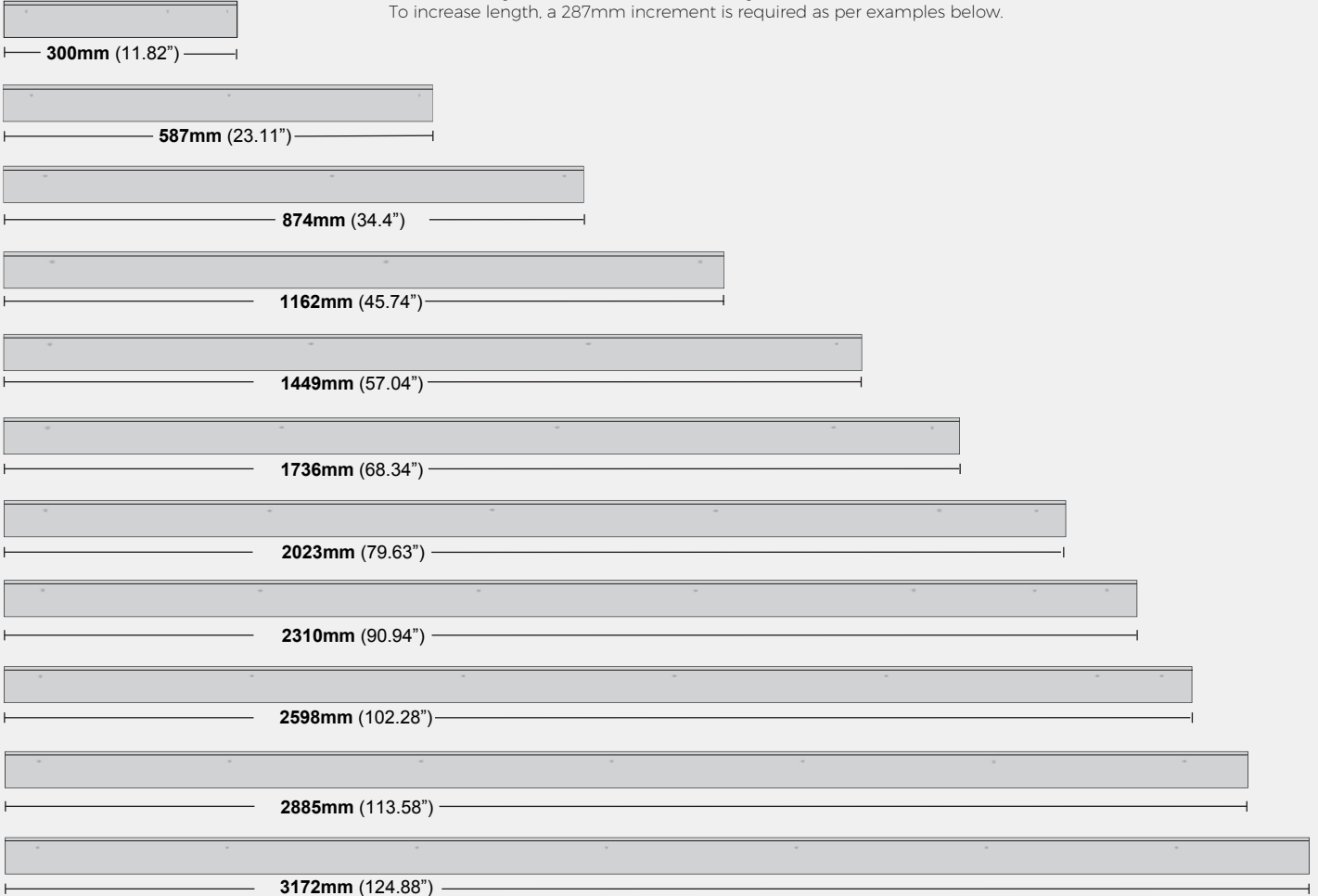
DATA TABLE

Output	4 Ft Length 1120mm	Luminous Flux (Delivered Lumens)	LO 1900	HO 3500	
		Xeramix	CRI: Lumen Maintenance:	80+ 114,000 Hours (L90 B10 @ 50°) IM hours (L70 B10 @50°C)	
Warranty	Xeramix		Xeramix I = 10 years		
Electrical	Power Consumption		Between 20 and 45w/m		
	Voltage input range		120 - 277V		
	Control methods		Dimming options for white light: 0-10V DALI,		
	Total harmonic distortion THD		9.8% max		
	Approvals		UL / CE / CCC / AS:NZS / EMC		
Physical	Dimensions		78mm (3.42")Wide x 87mm (3.07") High		
	Weight per metre		3.65Kg (8.04lbs) average weight		
	Housing		Aluminium Extrusion with anodised or powder-coated finish		
	Diffuser		Polycarbonate Diffuser/ Clear Polycarbonate Diffuser / Internal anti-glare baffle		
	Connections		Optional polarised electrical connection between sections		
	Compatible ceiling type		Suitable for drywall ceilings, metal pan, concrete, timber and T bar grid ceilings		
	Mounting		Recessed Flange Mounted, Sliding Thread Stud Bracket, Sliding Surface Mounting Plate, Wire Suspension Kit		
	Joiner options		Joiners available for interconnection		
	Operating temperatures		Xeramix -25°C to 50°C (-13°F to 140°F)		
	Environment		Luminaire IP66 (Not in direct sunlight, diffuser must not face upwards)		
	IK rating		IK11		
	Minimum length adjustment		Xeramix = 1mm (with cover plates) / (using OPTIK only = 287mm)		
	LED Board types		Xeramix I boards 287mm Zhaga compatible		
	Vandal Proof		Available with Anti-Vandal Fasteners		
	Optional Extras		Lanyards / Emergency packs / Environmental Plugs / Thermal throttle / IOT connectivity,		
Optic Beam Angles		16° smooth, 30° medium, 45° oval, 60° oval, 30° x 60° wall washer			

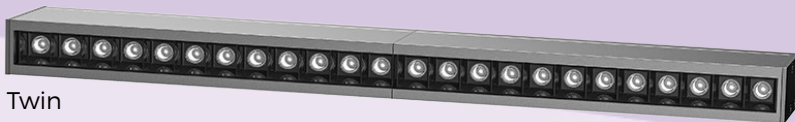
XTI | 1.5 OPTIK WF Reccesed IP66 | IK11

XTI AVAILABLE LENGTHS

Minimum length is 300mm. Maximum length 3,172mm (124.88")
To increase length, a 287mm increment is required as per examples below.



Single



Twin



Triple



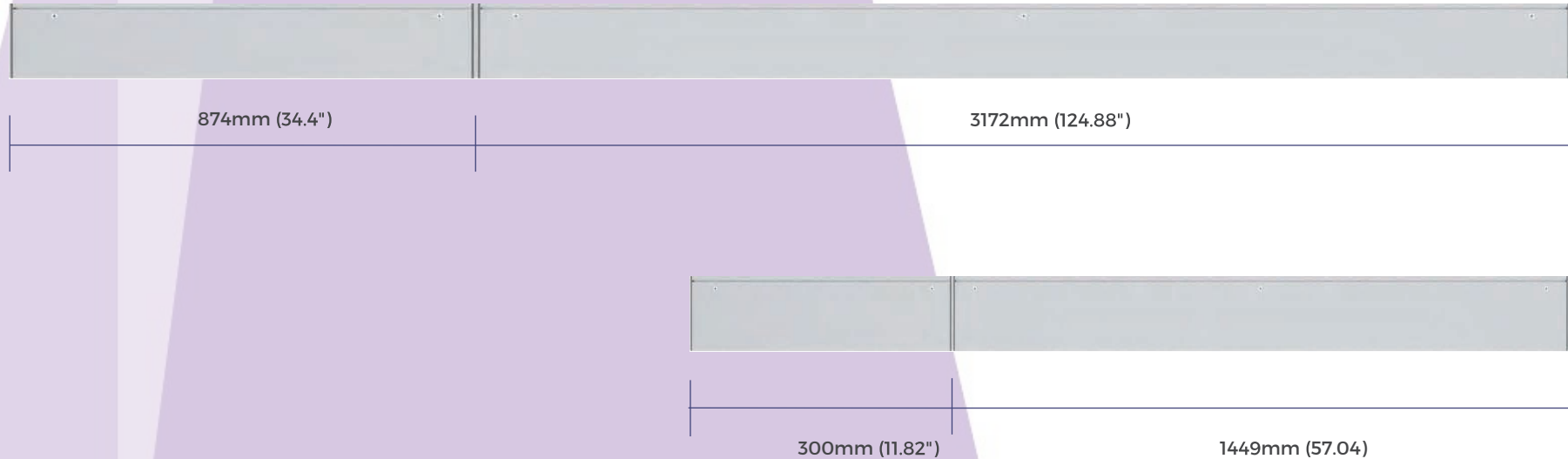
Custom*

*Note: By using a combination of cover plate and baffle a 1mm increment can be created.
Talk with you local Xero Specification Consultant for your custom design options.

XTI | 1.5 OPTIK WF Recessed (Wide Flange)

IP66 | IK11

SOME EXAMPLES OF STANDARD LENGTH COMBINATION



CREATING LENGTHS WITH XTI | 1.5 Series IP66 IK11

The XTI | 1.5 IP66 IK11 set lengths can be coupled together in any combination to achieve the desired length.

Note: custom lengths are also available – please consult your local Xero office for information

The XTI | 1.5 IP66 IK11 set lengths can be coupled together in any combination to achieve the desired length.

CUSTOM LENGTHS

Custom lengths are available in 0.984" (25mm) increments

XTI | 1.5 OPTIK WF Recessed
(Wide Flange)
IP66 | IK11

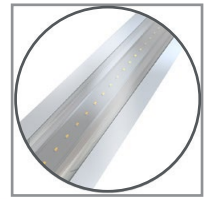
Optical control

Optic lens beam options



- 30° x 60° wall washer
- 60° oval
- 45° oval
- 30° medium
- 16° smooth

diffuser option



Clear
Polycarbonate

Accessories



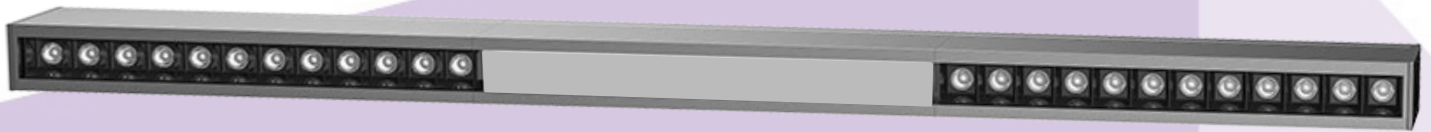
Vandal proof
option

XTI | 1.5 OPTIK WF Recessed (Wide Flange)
IP66 | IK11

OPTIK profile configurations



Continuous Optic Modules



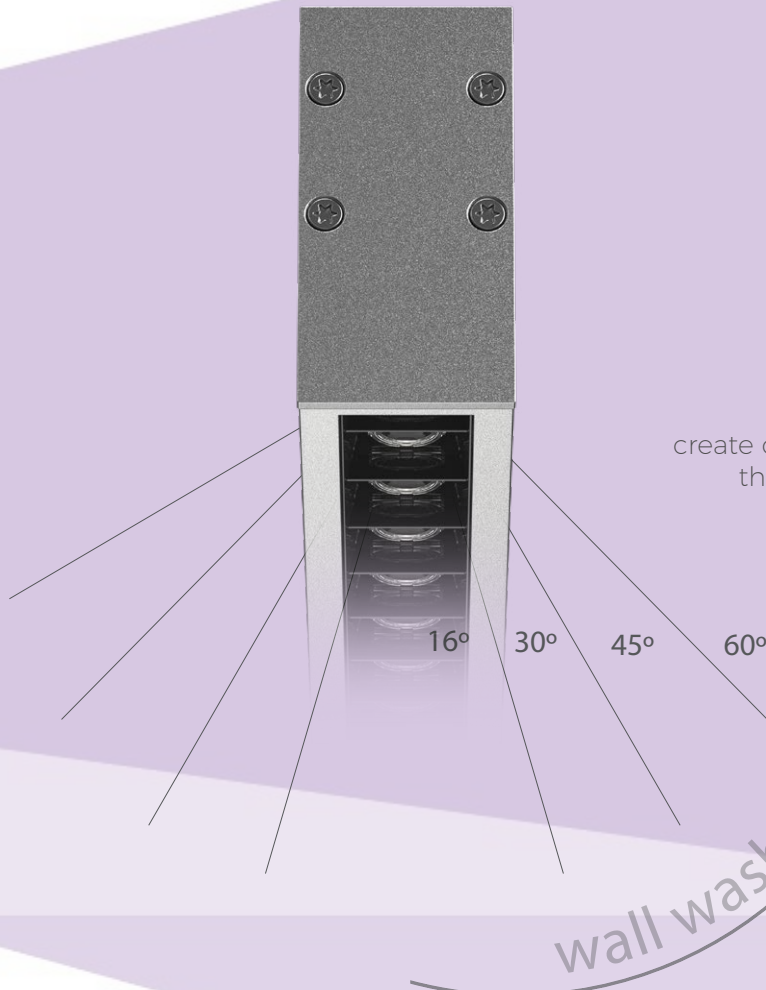
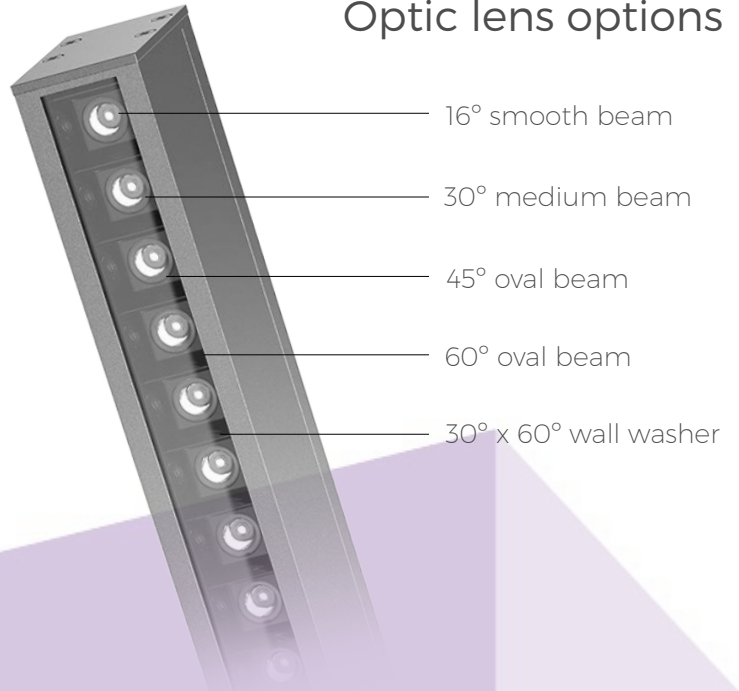
Optic modules with 'blank cover' in between.

XTI | 1.5 Slot
IP66 | IK11

Individually selectable optics

The OPTIK module lenses come as standard with one variant lens per each module of 12. Although each lens can be individually configured and customised to suit your desired light configuration.

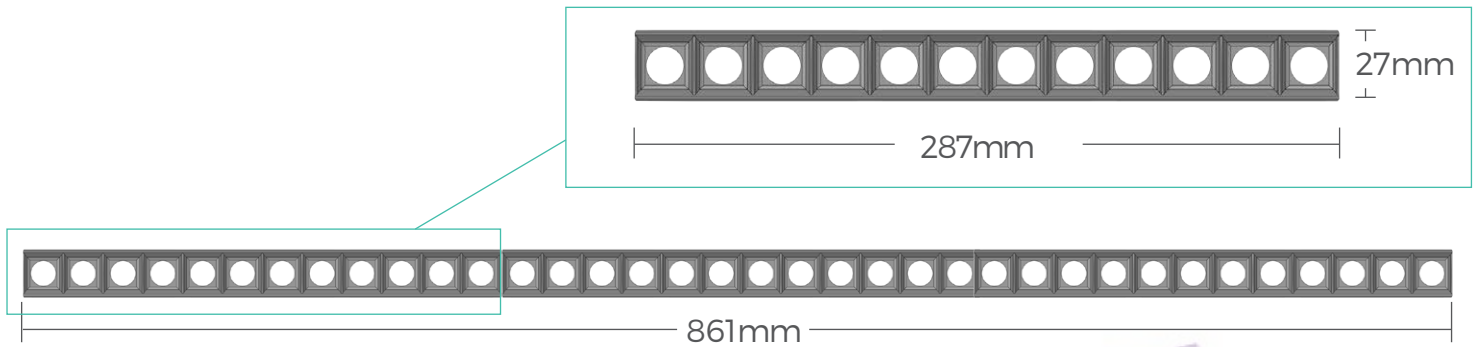
Optic lens options



Beam angles

The OPTIK profile gives you the ability to create custom angles to suit specific design requirements that can be applied to various applications including retail, office and residential environments

Dimensions of baffle



The OPTIK baffle can be arranged in a maximum of three modules

bend options



135°



cross 90°



tee 90°



custom



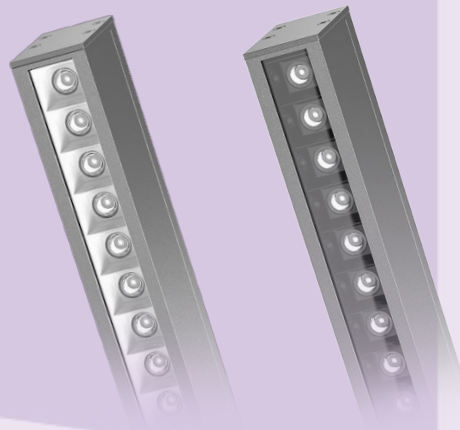
corner 90°



ceiling to wall

optics

The XTI 1.5 profile come with many diffuser options for glare control in any application



White baffle

Black baffle