

XERO
TECHNOLOGY
INFRASTRUCTURE



XTI | 3 .0 Square IK II | IP66

metric

80mm Wide x 80mm High

imperial

3.149" Wide x 3.149" High



DATA TABLE

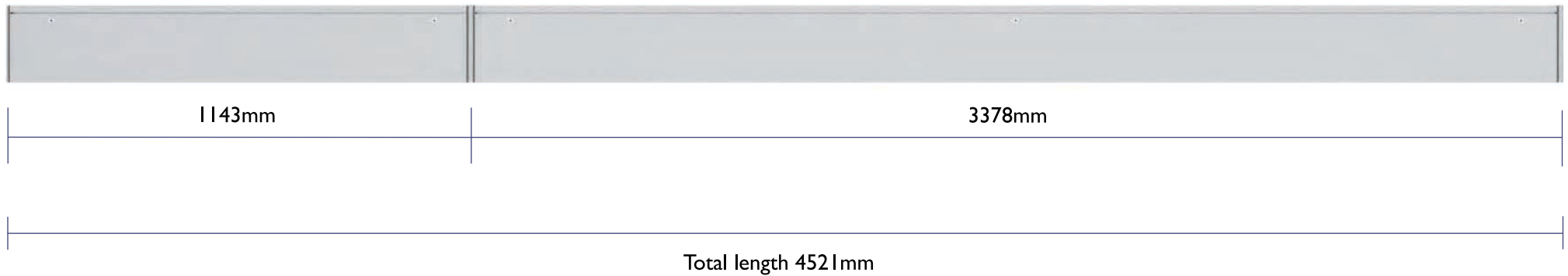
Output	4ft Length	Luminous Flux	LO	HO	
	1120mm	(Delivered Lumens)	1900	3500	
	CRI		80+		
	Lumen Maintenance		114,000 hours [L90 B10 @ 50°C] 1M hours [L70 B10 @ 50°C]		
Warranty			Xeramix 1 10 years Xeramix R = 15 years		
Electrical	Power Consumption		Between 20 and 45w/m		
	Voltage input range		120 - 277V		
	Control methods		Dimming options for white light: 0-10V, DALI, DMX Optional RGB / Sunset Dimming control DMX or DALI XI		
	Total harmonic distortion THD		9.8% max		
	Approvals		UL / CE / CCC / AS:NZS / EMC		
Physical	Dimensions		80 X 80 mm (3.149")		
	Weight per metre		4.4kg (9.70lbs) average weight		
	Housing		Aluminium Extrusion with anodised or powder-coated finish		
	Diffuser		Opaque Polycarbonate Diffuser / Clear Polycarbonate Diffuser / Parabolic Louvre		
	Connections		Optional polarised electrical connection between sections		
	Compatible ceiling type		Suitable for gyprock (drywall) ceilings, metal pan, concrete, timber and T-bar grid ceilings		
	Mounting		Field adjustable rollerball wire suspensions / rod suspensions / wall mounting / surface mount / custom Mounting		
	Joiner options		90° / Straight / 180° / Custom		
	Operating temperatures		-25°C to 50°C (-13F to 140°F)		
	Environment		Semi Outdoor IP66 (Not in direct sunlight)		
	Minimum length adjustment		25mm		
	LED board types		Xeramix 1 and Xeramix R Boards and drivers in 25mm compatible / 100mm 280mm and 560mm Zhaga lengths		
	IK rating		IK11		
	Vandal-proof		Available with anti-vandal fasteners		
Optional extras		Lanyards / Emergency packs / Camera / Environmental plugs / Thermal throttle / IOT connectivity			

XTI AVAILABLE LENGTHS



DESCRIPTION	LENGTHS								
total luminaire length in mm	1143	1422	1702	1981	2261	2540	2819	3099	3378
total luminaire length in inches	45	56	67	78	89	100	111	122	133
'560 board multiples	2.0	2.5	2.0	3.5	4.0	4.5	4.5	5.5	6.0

EXAMPLE OF STANDARD LENGTH COMBINATION



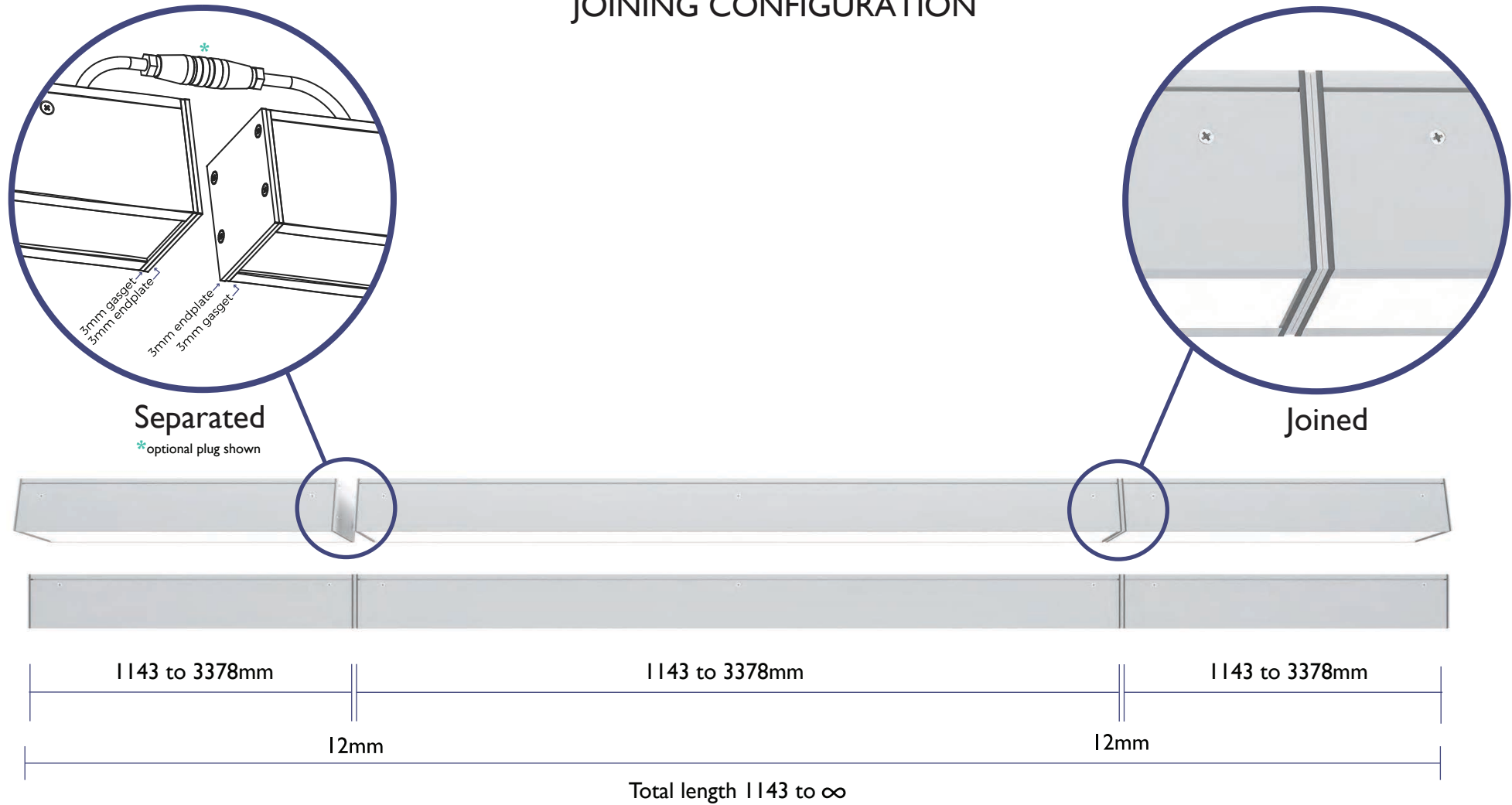
CREATING LENGTHS WITH XTI | 3.0 Square IP66 IK11

The XTI | 3.0 IP66 IK11 set lengths can be coupled together in any combination to achieve the desired length.
Note: custom lengths are also available – please consult your local Xero office for information

CUSTOM LENGTHS

Custom lengths are available in 0.984" (25mm) increments

JOINING CONFIGURATION



XERO TECHNOLOGY INFRASTRUCTURE **XTI**

XTI | 3.0 Square
IK11 | IP66

Optical control

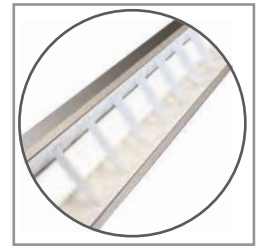
XTI profiles come with many diffuser options for glare control in any application



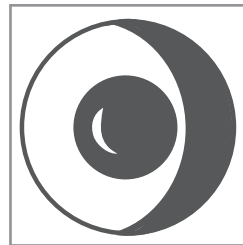
Polycarbonate



Semi-specular
Louvre



Optic white
louvre



sensors / daylight
harvesting



emergency packs



pa speaker



ewis speaker



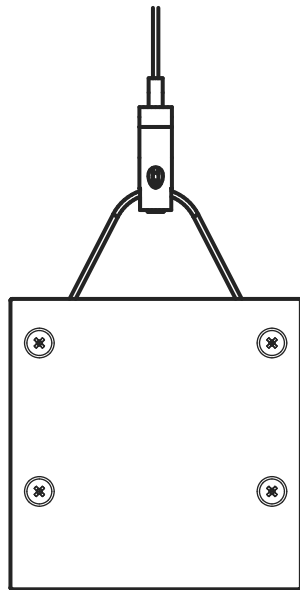
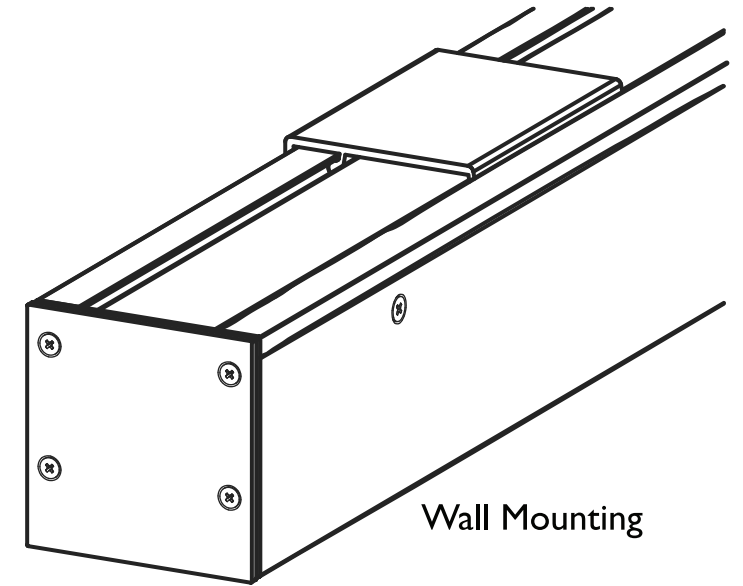
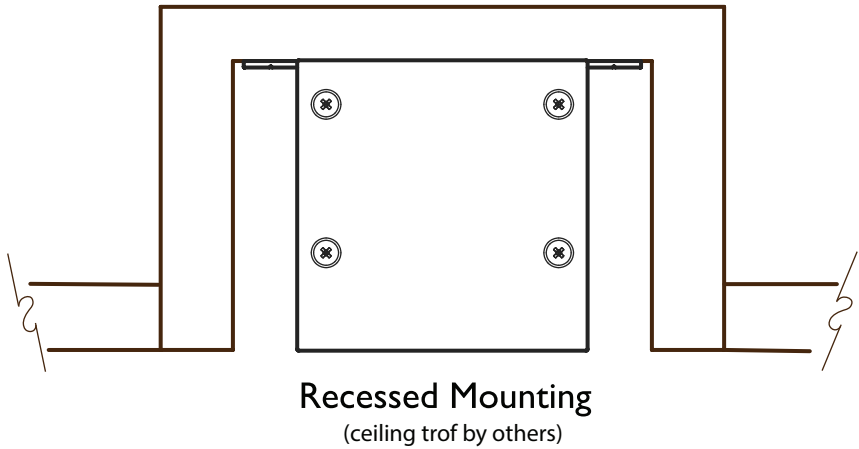
smoke detector



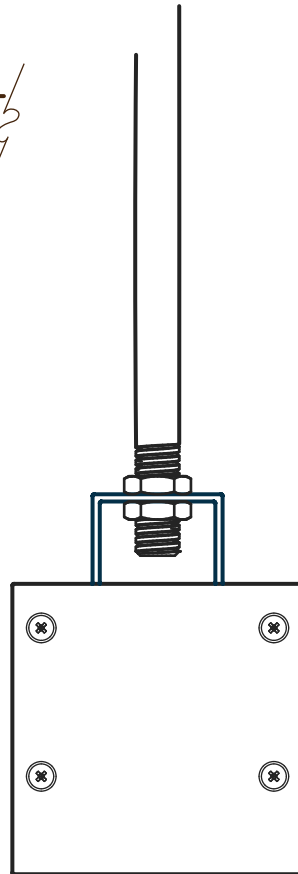
camera



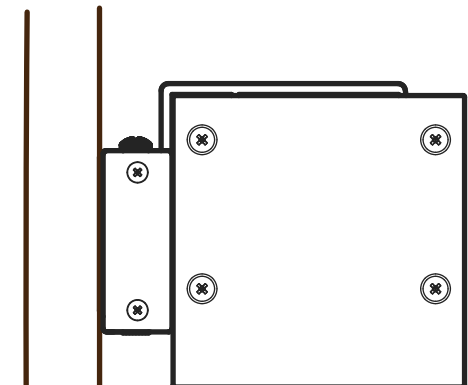
MOUNTING



Wire Suspension



Rod Suspension



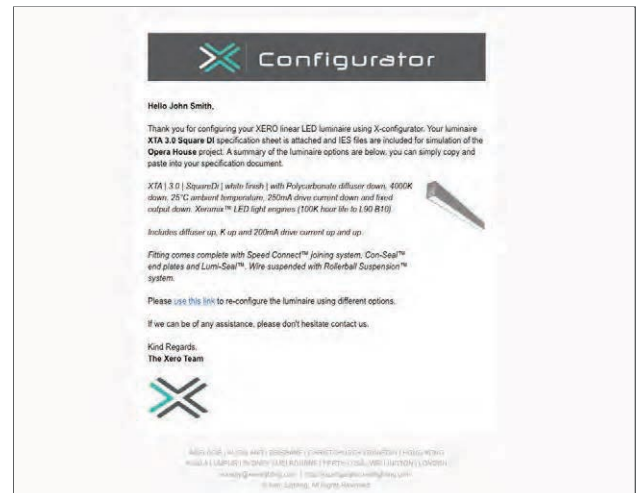
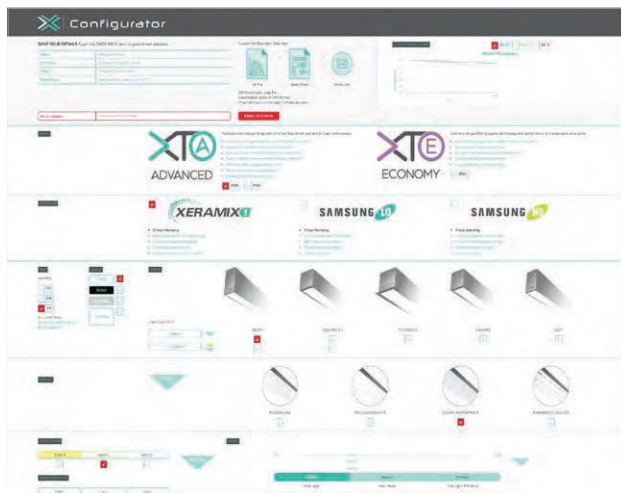
**Wall Mounting
Side View**

XERO TECHNOLOGY INFRASTRUCTURE **XTI**

XTI | 3.0 Square
IK II | IP66



The Xero Configurator allows you to design and build your customised lighting system. To ensure that your profile specifically caters to your project application follow the simple 8 step build process to obtain your unique DNA code. Select your profile, choose your colour, length, gear tray, output, colour temperature, mounting requirement and choose from the selection of extras



to access the X-configurator please visit www.xerolighting.com/xconfigurator

General Specifications:

- LED Luminaires shall have thermal ambient temperature rating of 50°C
- LED luminaries shall have site adjustable drive current selection capability without the need for additional parts
- LED Luminaires shall have colour spatial uniformity of 3 step macadam ellipse at end of life | 14,000 hour life to L90 B10 @ 35°C
- LED luminaries shall have Thermal Throttle to prevent over temperature
- LED luminaries shall have upgradeable boards and drivers
- LED luminaries shall have removable gear trays with Cam locks
- LED luminaries shall employ ceramic based LED's with ZHAGA compliant boards
- LED Luminaires shall have a minimum 10 year warranty



General enquiries
E lights@xerolighting.com W xerolighting.com
To get in touch with your local Xero
Distributor Visit www.xerolighting.com/contacts



The information contained within this specification sheet is for general information purposes only. While Xero aspires to keep the information up to date and correct, we make no representations or warranties of any kind about the accuracy, reliability, suitability or availability with respect to this information, products, services, or graphics contained in this specification sheet for any purpose.