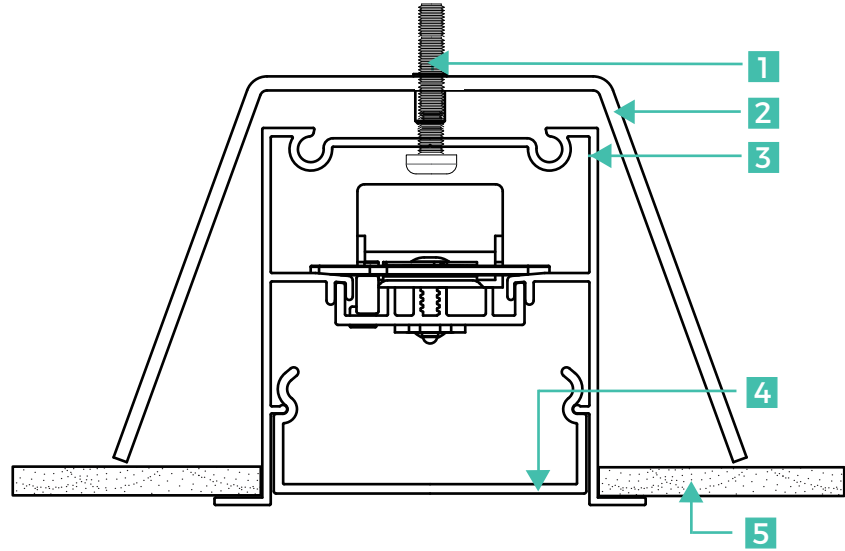


## INSTALLATION INSTRUCTION

- 1 Screw
- 2 Recessed Clip
- 3 Luminaire
- 4 Diffuser
- 5 Ceiling



**1**

Recessed Clip and Luminaire

Suspension Plan

Note: Ensure ceiling construction can support luminaire weight

**Determine mounting location**

**3**

Ceiling opening width =  $W + 7\text{mm}$

Ensure ceiling cut-out is the correct length and width.

**4** Cut-out length = length endcap to endcap + 7mm

Overall fitting length including width of flanges

**4** Remove diffuser

**5** Remove gear-tray

Step 1. Slide latch to unlock position

Step 2. Remove gear-tray

**6**

Follow steps 9 and 10

Follow steps \*9b and \*10b

**7**

Ensure screws are at maximum extension.

**8**

Make sure power is connected in ceiling while being placed into position.

**9**

While unit has been lifted into place ensure clip can squeeze into ceiling cut-out

**\*9b** Top View

Rotate clips so that they sit flush against the body.

**10**

Push screws in fully once unit is in place. Ensure recessed clip legs secure unit into ceiling.

**\*10b**

Lift unit into ceiling and push screw fully into luminaire, then turn screw to rotate clip.

**11**

Tighten screw (s) ensuring clips are kept parallel and even. Do not over tighten.

**12**

Replace gear-tray and reconnect power

**13**

Replace diffuser

**WARNING**

1. Ensure luminaire is kept horizontal whilst being lifted into ceiling.
2. If there is more than one section of luminaire insert each piece into ceiling separately and connect. Note: When installing the last section in a multiple section luminaire there is no joining pins or latch across

If more information is required please contact your local representative by going to [xerolighting.com/contact](http://xerolighting.com/contact) or email us at [headoffice@xerolighting.com](mailto:headoffice@xerolighting.com)