

# XTA 2.5 Loop RECESSED

**Metric:** 71mm Wide x 100mm High  
(inc flanges 97mm Wide)

**Imperial:** 2.795" Wide x 3.937" High  
(inc flanges 3.818" Wide)



Recessed Mounted  
Removable Diffusers  
Light Leak Free Joins



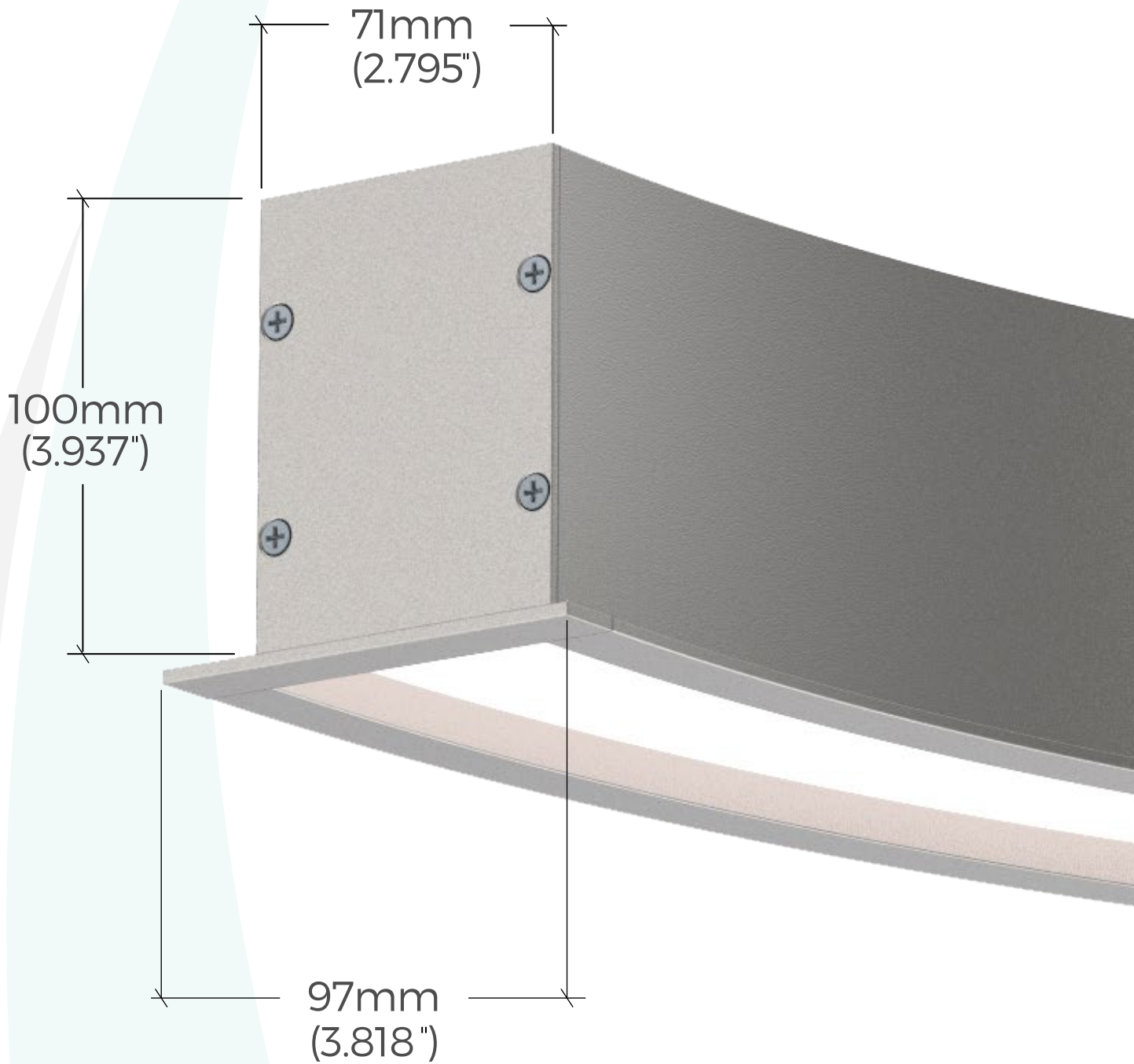
INTRODUCING  
**XTA | 2.5 LOOP RECESSED**

Xero Linear Lighting Systems presents the new XTA 2.5 LOOP Recessed incorporating all the technical features of our industry leading XTA range. The XTA 2.5 LOOP Recessed profile allows you the ability to form myriad of shapes and sizes from simple curved corners to the most complex configuration only limited by your imagination.

The XTA 2.5 LOOP Recessed comes standard with Proformax CRI 90 boards for optimum colour rendition in all environments -  
L80 B10 82,000hours

# XTA | 2.5 Loop RECESSED

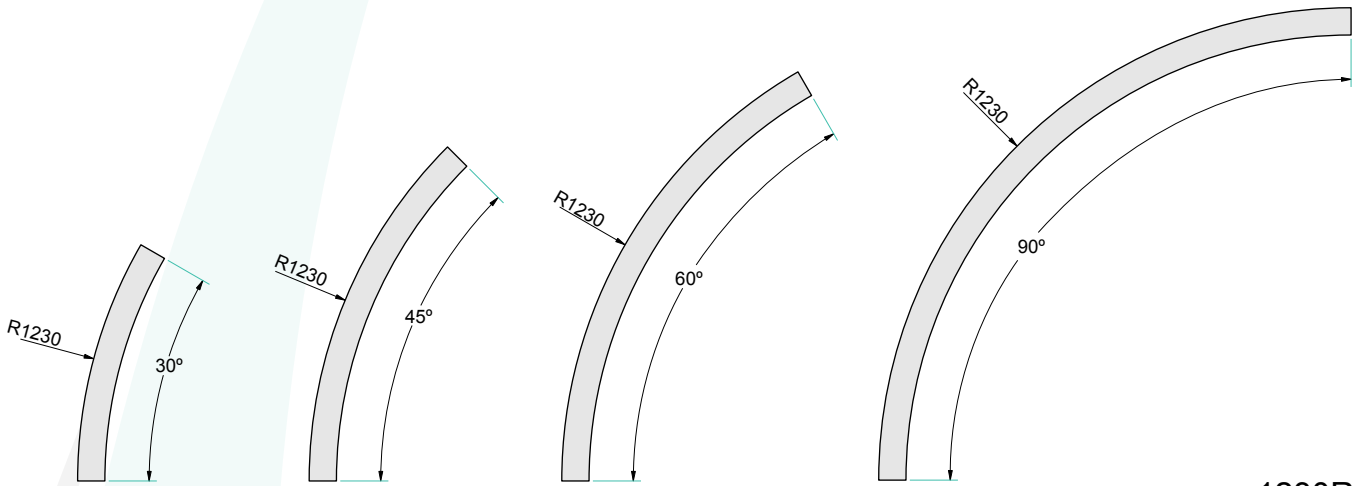
## Dimensions



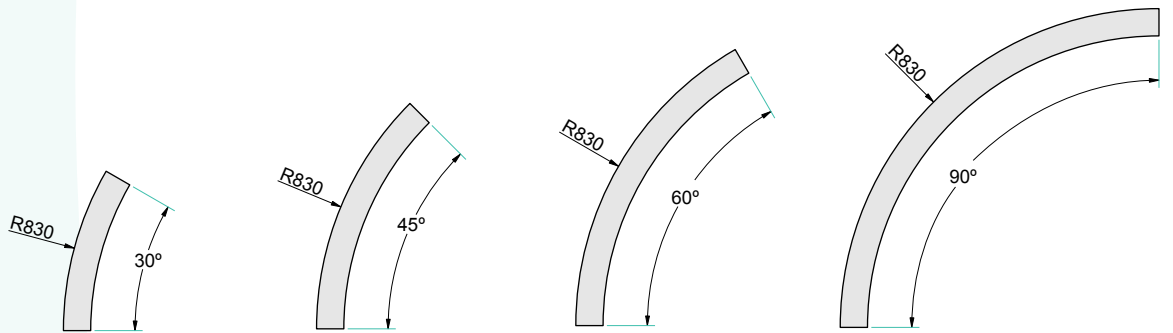
# XTA | 2.5 LOOP RECESSED

## Standard Bend Options

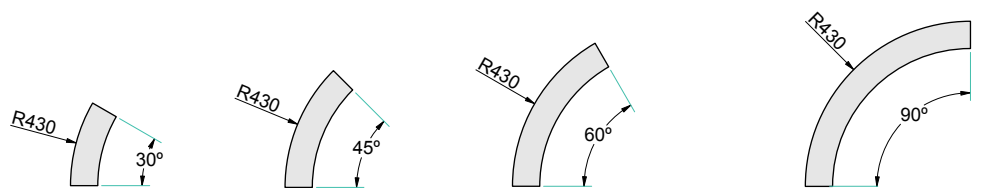
(\*Any radii available above 300mm is also possible)



1230R



830R



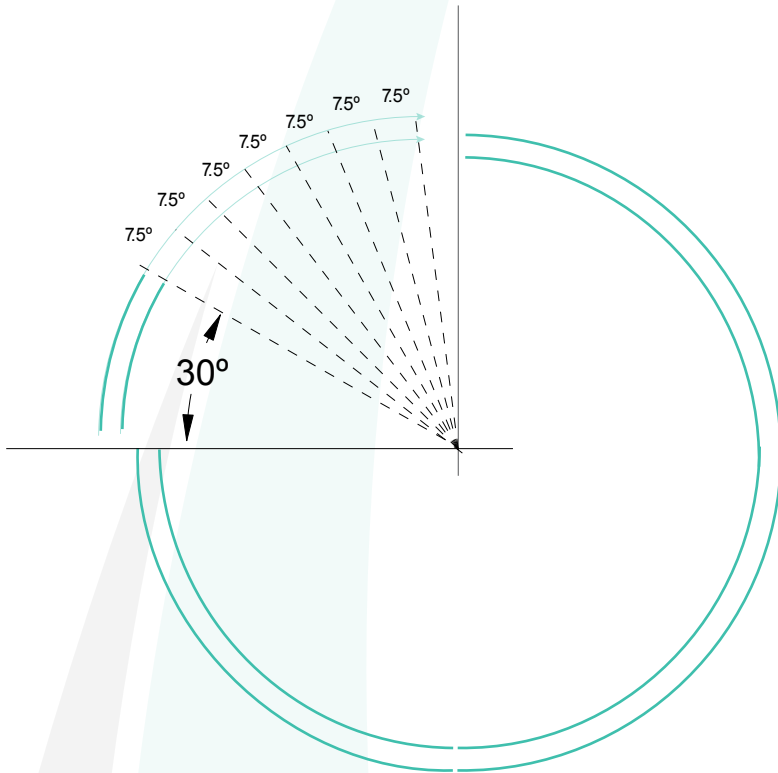
430R

\*Other custom radii available on request

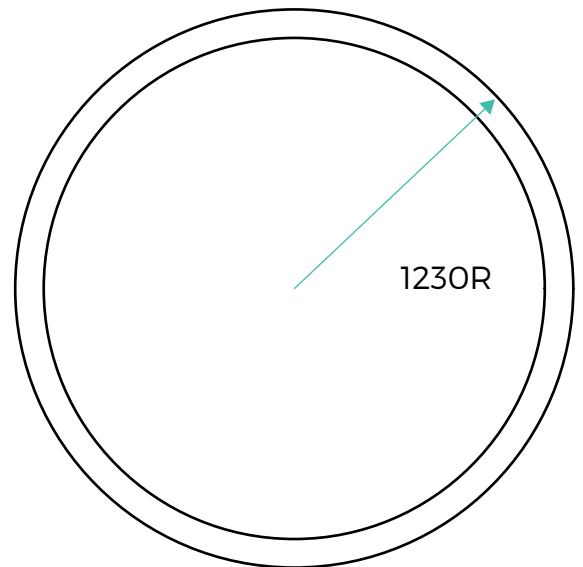
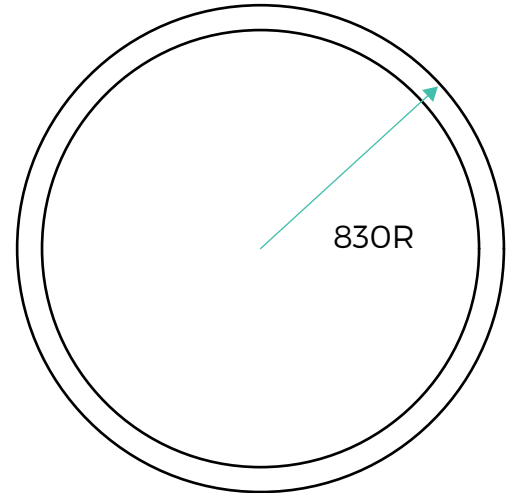
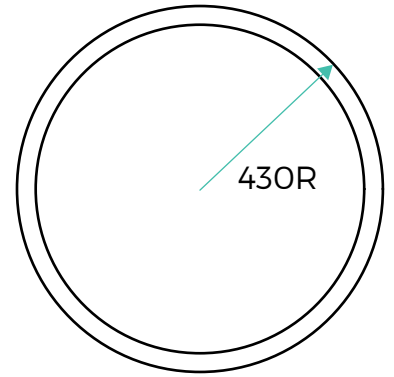
All radii bends can have integral drivers provided they join a straight section or are  $\geq 1230R$

# XTA 2.5 LOOP RECESSED

## Standard Arc Options

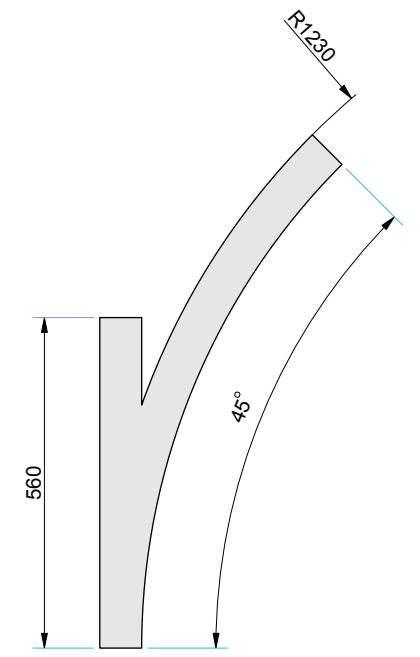
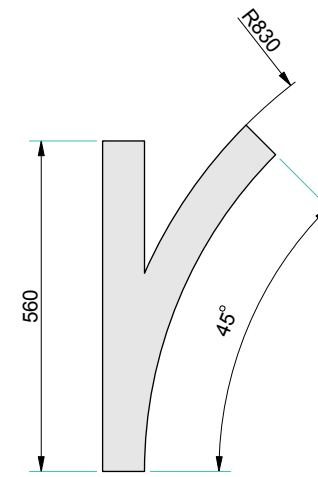
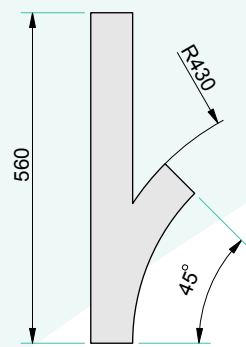


Minimum 30° segment  
then each segment can be  
increased in 7.5° increments  
Arc segments below  
1230R have remote drivers

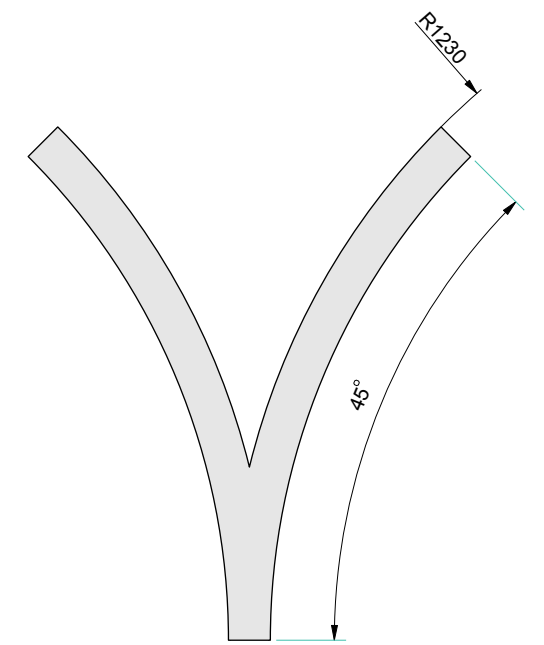
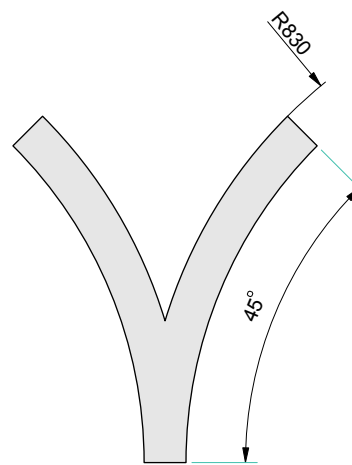
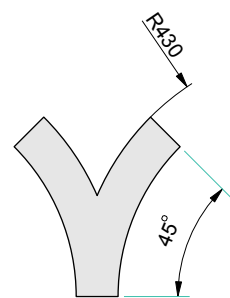


Other options available on request

# XTA 2.5 Loop RECESSED Standard Connections



Y Bends



V Bends

Other options available on request

# Data Table

XTA   2.5 Loop Recessed				
LED Engine	4ft Length 1120mm	Luminous Flux (Delivered Lumens)	LO 1900	HO 3500
			Xeramix	CRI
	Proformax	Lumen Maintenance:	114,000 Hours ( L90 B10 @ 50° )	
			CRI	90+
Warranty	Xeramix	Lumen Maintenance:	82,000 Hours ( L80 B10 @ 35° )	
			Proformax	7 Years
Electrical	Power Consumption		Between 20 and 45w/m	
	Voltage input range		120 – 277V	
	Controls		0-10 volts / Dali Control Gear / DSI compatible / DMX / Dimmer switch / Constant light output / Motion sensor / Ripple free / Bluetooth mesh / Casambi control wireless system	
	Total harmonic distortion THD		9.8% max	
	Approvals		UL / CE / CCC / AS:NZS / EMC	
Physical	Dimensions		71 Wide (inc flanges 97mm) X 100mm High	
	Weight per metre		4.0kg (8.8lbs) average weight	
	Housing		Aluminium extrusion / powder-coated finish only	
	Diffuser		Frosted acrylic lens / Polycarbonate lens	
	Accessories		Various connection shapes available	
	Connections		Speed Connect Joining System with Polarised electrical connection between sections	
	Compatible ceiling type		Suitable for gyprock (drywall) ceilings, metal pan, concrete, timber and T-bar grid ceilings	
	Mounting		Gyprock clips as standard	
	Bend Radii		430R / 830R / 1230R as standard with custom radii available	
	Mitre Bend Options		Lit corner 90° / Cross 90° / Tee 90° / Straight 180° (No unlit)	
	Endplate Options		Conseal flat or optional curved end plates	
	Operating temperatures		Xeramix = -25°C to 50°C (-13°F to 140°F) Proformax = -25°C to 35°C (-13°F to 95°F)	
	Environment		Dry Indoor Application only	
	Minimum length adjustment		Xeramix = 1mm Proformax = 25mm	
	LED Board types		Xeramix LED boards in 25 / 100 / 280 / 560mm lengths Zhaga compatible Proformax LED boards in 50 / 280mm / 560mm lengths Zhaga compatible	
Configurations		Down only		

# Technologies

## First of it's kind light leak free system

There are no light leaks in the usual places like end plates, diffuser expansion gaps and at joins where two or more pieces are connected together.

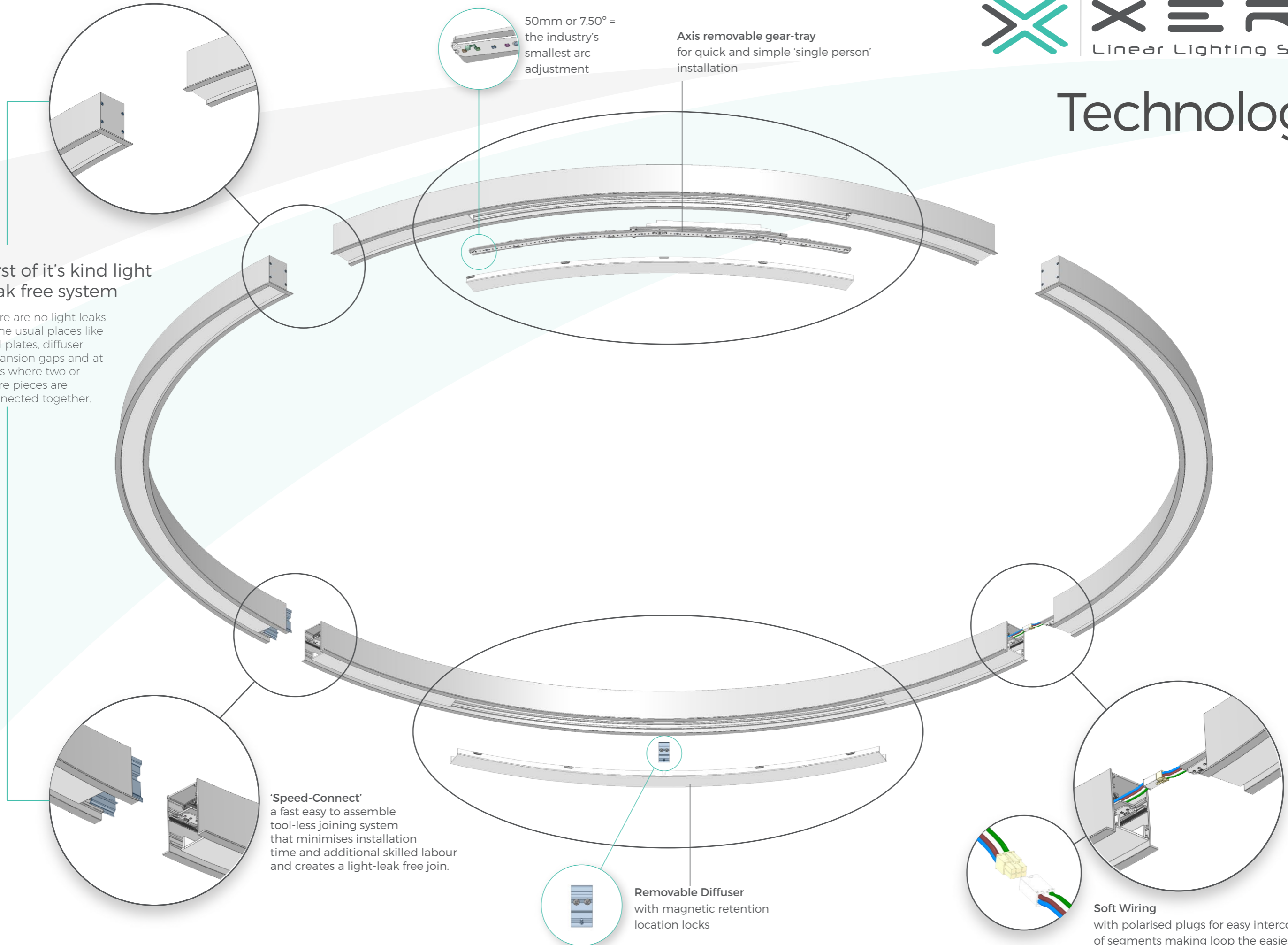
50mm or 7.50° = the industry's smallest arc adjustment

Axis removable gear-tray for quick and simple 'single person' installation

'Speed-Connect' a fast easy to assemble tool-less joining system that minimises installation time and additional skilled labour and creates a light-leak free join.

Removable Diffuser with magnetic retention location locks

Soft Wiring with polarised plugs for easy interconnection of segments making loop the easiest curved profile on the market to install

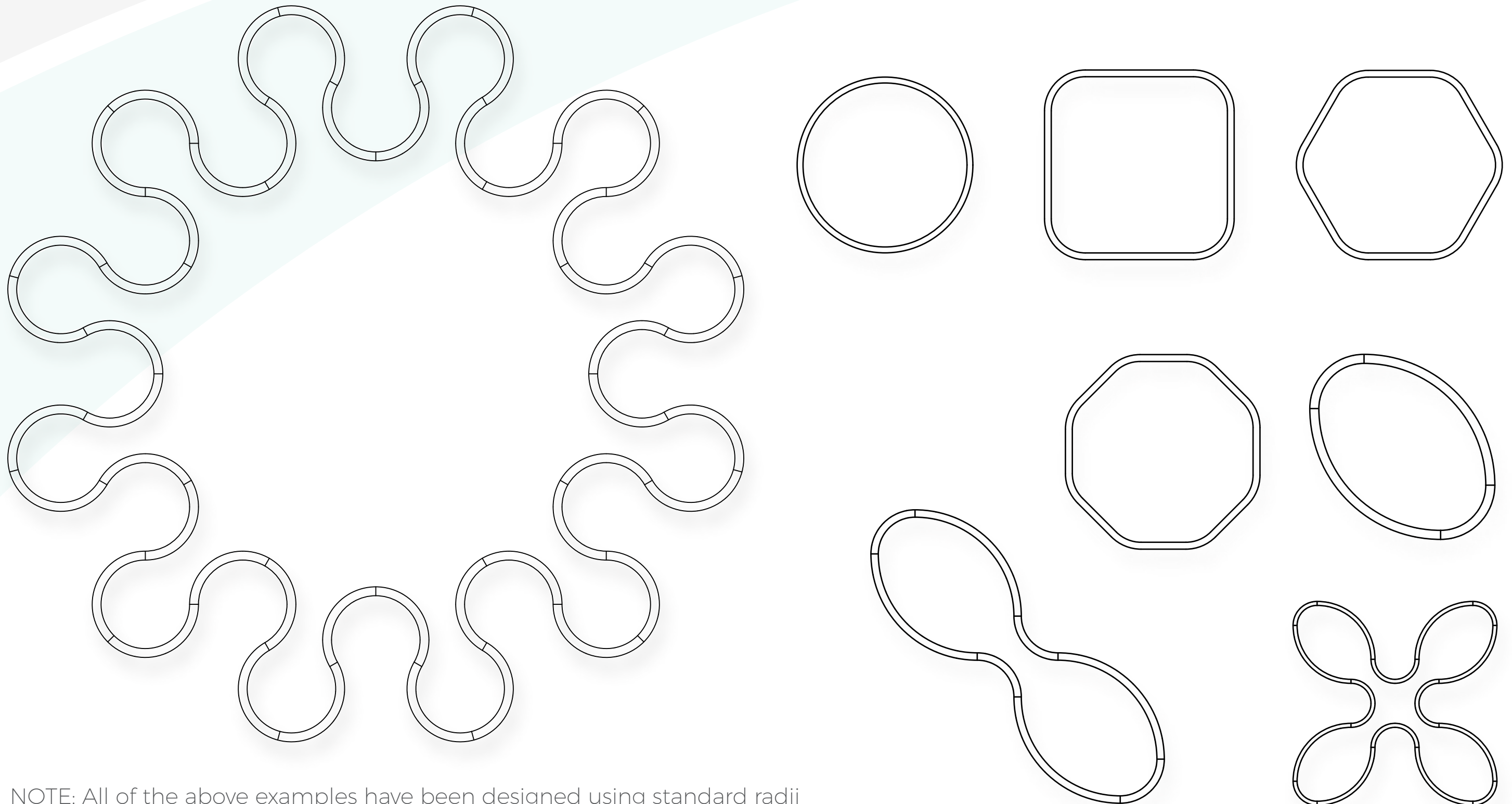




## XTA | 2.5 LOOP RECESSED

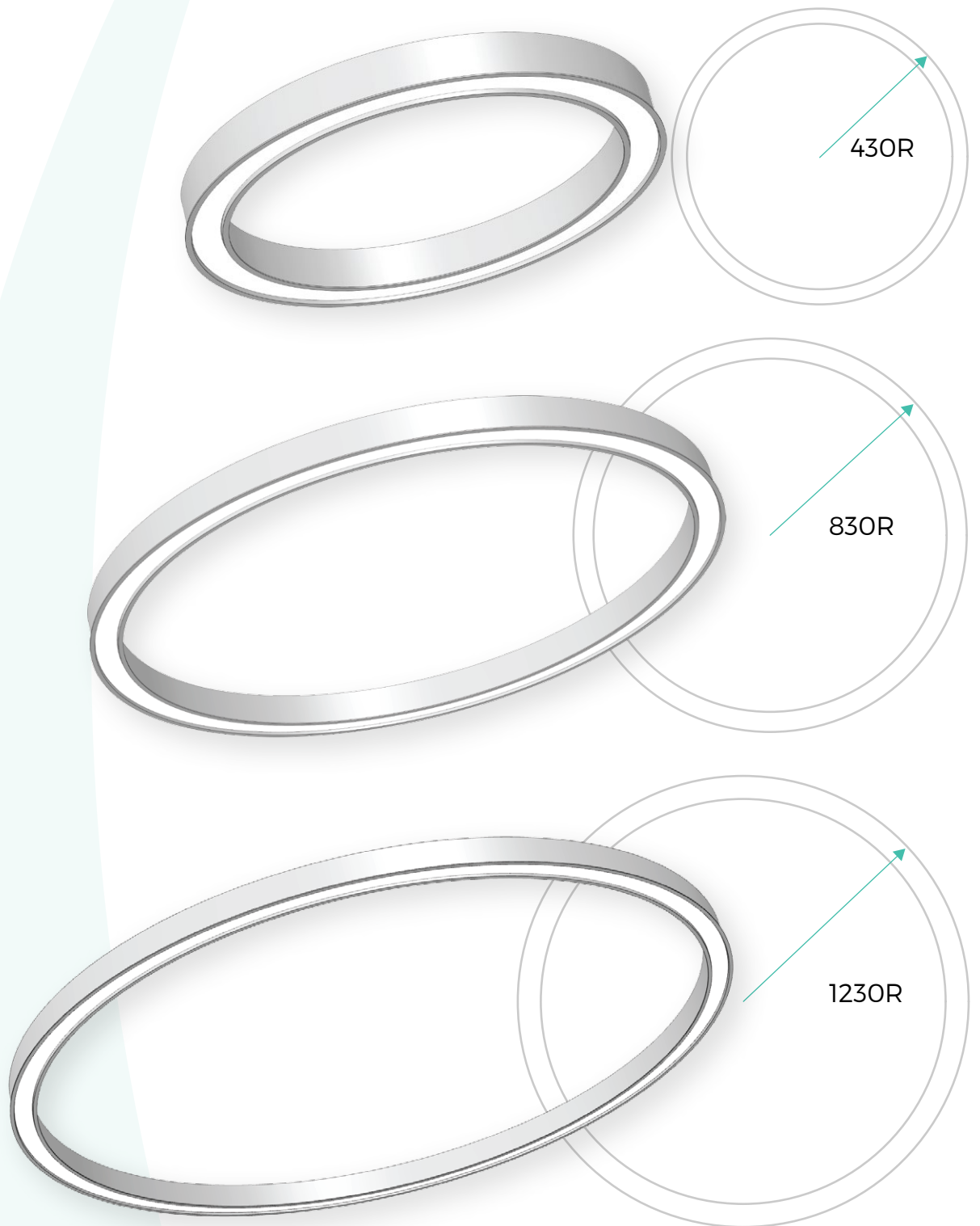
### Some examples of Shapes and Sizes

The LOOP series has the ability to form myriad of shapes and sizes from simple curved corners to the most complex configuration only limited by your imagination



NOTE: All of the above examples have been designed using standard radii

# XTA | 2.5 Loop RECESSED Standard Rings




Custom size rings available on request

# XTA | 2.5 LOOP RECESSED

## Install Template

Xero Loop profiles come with mounting templates that allow easy installation. The template can be installed on the floor initially, and a laser used to first check for interference and then screwed to ceiling and traced around for an accurate guide for cutting the mounting hole. Individual sections 'click' together to create an exact template of the actual luminaire.

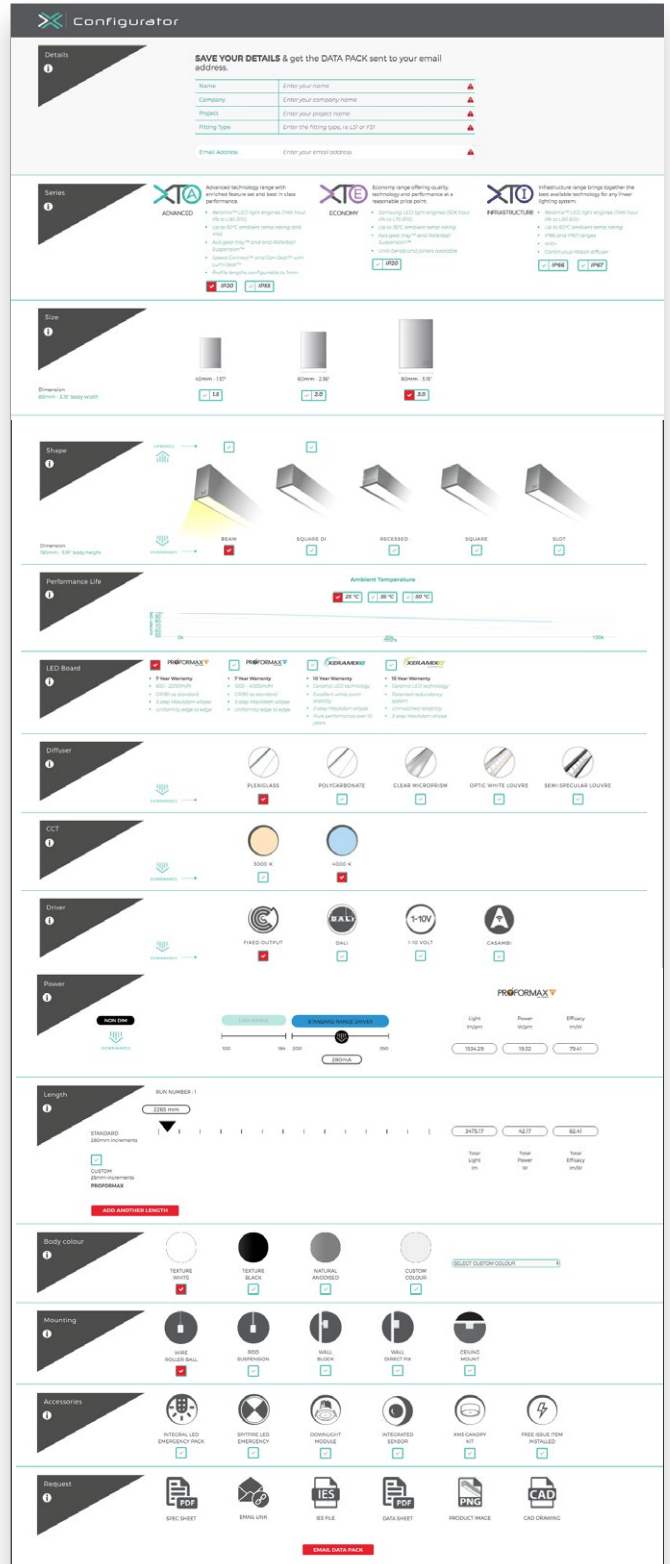
Ease of installation is just another standard from the leader in linear lighting innovation.



Shape illustrated is an example only.  
Templates are supplied for all individual designs and shapes

# X Configurator

The Xero Configurator allows you to design and build your customised lighting system. To ensure that your profile specifically caters to your project application follow the simple step by step build process to obtain your unique DNA code. Select your profile, choose your colour, length, gear tray, output, colour temperature, mounting requirement and choose from the selection of extras



The screenshot displays the Xero Configurator interface with the following sections:

- Details:** A form to "SAVE YOUR DETAILS & get the DATA PACK sent to your email address." with fields for Name, Company, Project, Mounting Type, and Email Address.
- Series:** Three options: **XTA ADVANCED** (Advanced technology range with 2000lm beam angle and best in class performance), **XTE ECONOMY** (Economy range offering quality technology at an unbeatable price point), and **XTO INFRASTRUCTURE** (Infrastructure range brings together the best available technology for any linear lighting system).
- Size:** Three beam sizes: 60mm x 137mm (14), 60mm x 137mm (22), and 60mm x 137mm (30).
- Shape:** Five beam profiles: BEAM, SQUARE D1, RECESSED, SQUARE, and SLOT.
- Performance Life:** A graph showing performance over time for ambient temperatures of 24°C, 35°C, and 40°C.
- LED Based:** Four options: **PROFORMAX 7** (7 Year Warranty), **PROFORMAX 10** (10 Year Warranty), **XERAMAX 10** (10 Year Warranty), and **XERAMAX 15** (15 Year Warranty).
- Diffuser:** Six options: FLECKGLASS, POLYCARBONATE, CLEAR MICROBREM, OPTIC WHITE GLASS, and SEMI-REFLECTIVE GLASS.
- CCT:** Two options: 3000 K and 4000 K.
- Driver:** Four options: FIXED OUTPUT, DALI, 1-10V, and DALI+.
- Power:** A slider for output (100-300W) and a table for PROFORMAX 7 showing Light Output (154lm/20W), Power Input (20W), and Efficiency Index (75%).
- Length:** A slider for length (200-2000mm) and a table for PROFORMAX 7 showing Total Light (lm), Total Power (W), and Total Efficiency Index.
- Body colour:** Four options: TEXTURE WHITE, TEXTURE BLACK, NATURAL ANODISED, and CUSTOM COLOUR.
- Mounting:** Five options: WIRE MOUNT BALL, ROD SUSPENSION, WALL BRACKET, WALL DIRECT FIX, and CEILING MOUNT.
- Accessories:** Six options: INTEGRAL LED ENERGY PACK, BATTERY LED ENERGY, DOWNLIGHT MODULE, INTEGRATED SENSOR, IHS GANTRY KIT, and FREE SCALE FROM PHOTOLOGY.
- Request:** Six options: SPEC SHEET, EMAIL LINK, IES FILE, DATA SHEET, PRODUCT IMAGE, and CAD DRAWING.

The X-Configurator can be accessed at <http://xconfigurator.xerolighting.com>



General enquiries

**E** [headoffice@xerolighting.com](mailto:headoffice@xerolighting.com)

**W** [xerolighting.com](http://xerolighting.com)

To get in touch with your local Xero  
distributor visit

[xerolighting.com/contact](http://xerolighting.com/contact)