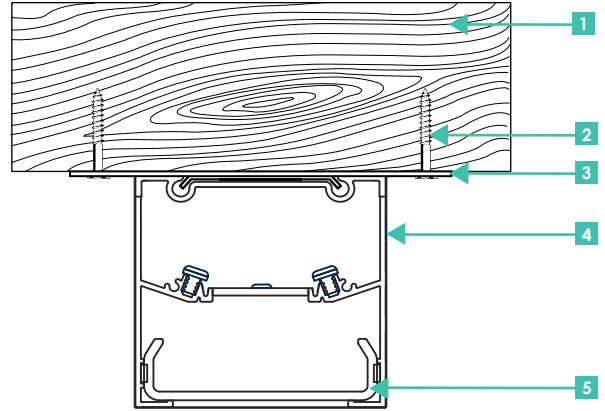


INSTALLATION INSTRUCTION

- 1 Support structure
- 2 Fasteners
- 3 Mounting Plate
- 4 Profile
- 5 Diffuser



**1**

\*Flush surface mount

XTI Profile

Suspension Plan

**XERO**

NOTE: Fasteners are **NOT** supplied

\*Note: The Flush Surface mount comes assembled with the XTI profile

**2**

## Determine mounting location

**3**

Position luminaire and mark mounting holes

**4**

Remove luminaire and drill pilot holes for mounting

**5**

Connect Luminaire to power supply

**6**

Return luminaire to installation location and fix through mounting brackets