



XERO
TECHNOLOGY
ADVANCED 

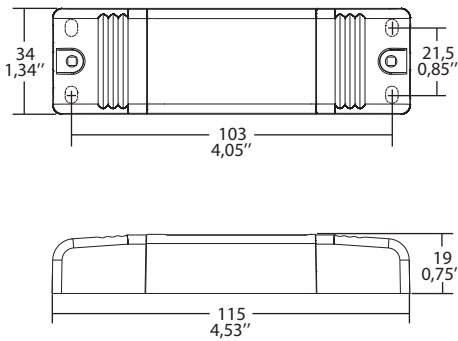
CASAMBI

CONTROL SYSTEM

Introducing the Casambi mini interface, compatible with most Xero Linear Lighting profiles allowing users to control linear luminaires directly from a mobile device, using Bluetooth Low Energy (BLE) – the cutting-edge communication technology that’s built into every modern mobile device.

With a Casambi-ready lighting system, all the users needs to do is download the Casambi app to their iOS or Android device, and they’re ready to control all their light fittings. It’s made possible by tiny chips built into each fitting, which can communicate directly with mobile devices via Bluetooth.

The high-tech devices that we all carry with us today are ideal tools for controlling lighting. Touchscreens, advanced computing power and high-speed connectivity make them ideal for tasks like commissioning lighting when it’s installed, setting up preset scenes and animations, or controlling colour.



Features	Interface which can convert a WIRELESS CASAMBI signal into a 0/1..10 V signal.
	Class II protection against electric shock for direct or indirect contact.
	The converter can be powered directly from the mains (100 - 240 VAC).
Operation Mode	WRGB mode: 4 x 0/1-10V (4 x 10mA max) independent (CH1..4)
	TW mode: 2 x 0/1-10V (2 x 10mA max) independent (CH1-2).
Rated Voltage	100 - 240 V
Frequency	50/60 Hz
DC Operation range	176 - 264 V
AC Operation range	90 - 264 V
IP Rating	IP20
Weight	60gms / 2.07 oz



For more information on the Casambi control system speak to with your local Xero Linear Lighting Regional Specification Representative by going to xerolighting.com/contacts

CASAMBI 0/1...10 V PUSH



Rated Voltage
100 ÷ 240 V

Frequency
50/60 Hz

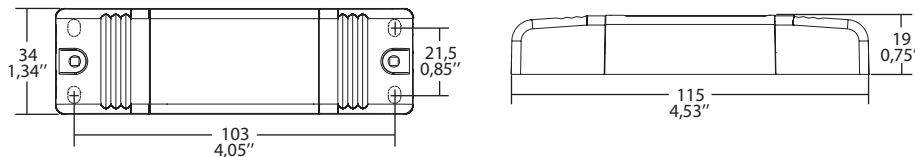
AC Operation range
90 ÷ 264 V

DC Operation range
176 ÷ 264 V
(NO PUSH mode function)

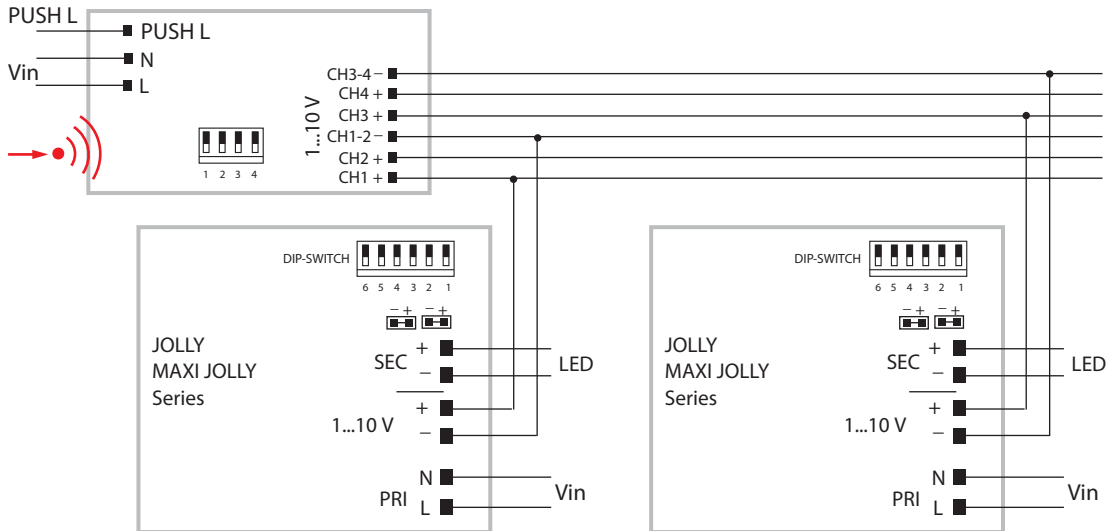
Reference Norms
EN 55015
EN 61000-3-2
EN 61347-1
EN 61347-2-11
EN 61547
EN 62311
ETSI EN 300 328
ETSI EN 301 489-1
ETSI EN 301 489-17

Article	Code	VAC in	Type	°C	°C	I max. Power Factor
MINI CASAMBI INTERFACE TW	127637	100 ÷ 240	CASAMBI - 1...10 V	-25...+50	65	0,5 C
MINI CASAMBI INTERFACE WRGB	127638	100 ÷ 240	CASAMBI - 1...10 V	-25...+50	65	0,5 C

IP 20 **SCREW FIXING** **Ø40 1,57''** Weight - Peso gr. 60 / 2,07 oz. Pcs - Pezzi 50



Wiring diagrams - Schemi di collegamento



1...10 V diagram

Features

- Interface which can convert Wireless Casambi signal into a 0/1...10 V signal.
- Class II protection against electric shock for direct or indirect contact.
- The converter can be powered directly from the mains (100 ÷ 240 VAC).
- Protections:
 - against input over voltages from mains;
 - against short circuit and open circuit;
 - thermal.

Operation mode

- WRGB mode: 4 x 0/1-10V (4 x 10mA max) independent (CH1...4).
- TW mode: 2 x 0/1-10V (2 x 10mA max) independent (CH1-2).

Check signal level when close to metal surfaces or inside metal box

The data shown are preliminary and may change - I dati riportati sono preliminari e potrebbero subire variazioni

