

XERO
TECHNOLOGY
ADVANCED 

XTA | 1.5 Recessed

metric

40mm Wide (inc flanges
54mm) x 70mm High

imperial

1.574" Wide (inc flanges
2.125") x 2.755" High



The industry's best profiles

Xero Linear Lighting Systems introduces the Xero Technology Advanced (XTA) series.

XTA brings together the best available technology for any linear lighting system. This includes 'lumiSEAL' a complete light leak free system that incorporates 'ConSEAL' a patented end plate with hidden gaskets in all IP versions and 'Speed-Connect' a fast easy to assemble tool-less joining system that minimises installation time and additional skilled labour.

The technologically advanced XTA series also includes 'AXIS' a unique gear tray system that is completely upgradable and removable allowing, LED components to be easily accessed for end of life replacement, upgrade or maintenance. Axis gear trays have a camm latch that is the fastest in the industry to remove and requires no tools.

The XTA series uses Xero's exclusive boards and drivers - 'Xeramix 1' with an industry leading 10 year warranty that has unmatched colour quality throughout life includes combined HE / HO board with 114k hour life to L90 B10. Optional 'Xeramix R' available with 15 year warranty, 1M hours at L70 B10. All XTA profiles are incrementally length adjustable by 1mm increments.

UL / CE / AUS/NZS standards approved Universal 120-277v input, site selectable drive current for variable output 'on-the-fly'. Partner this with the high end details such as laser etched CNC machined end plates, micro prism diffuser with UGR19 and high LOR, white optic louvres and dot free diffusion options and excellent thermal tolerance.

XERO is truly linear lighting redesigned



higher performance longer life

The XTA | 1.5 Xero Linear Lighting System brings high-quality dot free illumination to commercial and institutional interior environments. Featuring the latest generation of LED technology, The XTA | 1.5 is the perfect choice for offices, retail and public spaces with clean, uninterrupted lines of light that comes from Xero's exclusive patent 'SpeedConnect' System

Xeramix LED light engines are LED boards that utilise ceramic based LED chips that provide outstanding light quality over the LIFE of the boards. The LED light engines have 114,000 hour life to L90 B10 @ 35°C. This performance is unmatched. For more information on the Xeramix LED light engines and the difference between plastic and ceramic LED's please visit xeramix.com

Xero Linear Lighting Systems extends an (industry leading) full 10 year warranty using Xeramix I light engines to the original purchaser for the XTA series of profiles.

For more information on warranty visit www.xerolighting.com/warranty



Xero Linear Lighting Systems also offer an optional 15 year warranty when using Xeramix R linear light engines to the original purchaser for the XTA series of profiles.

For more information on this outstanding optional warranty visit

www.xerolighting.com/warranty



General enquiries
 E lights@xerolighting.com
 W xerolighting.com
 To get in touch with your local Xero
 Distributor Visit www.xerolighting.com/contacts



The information contained within this specification sheet is for general information purposes only. While Xero aspires to keep the information up to date and correct, we make no representations or warranties of any kind about the accuracy, reliability, suitability or availability with respect to this information, products, services, or graphics contained in this specification sheet for any purpose.





LUMI SEAL™

First of it's kind light-leak free luminaire

The Xero Linear Lighting Group brings yet another industry first complete 'light-leak-free' system where there are no light leaks in the usual places like end plates, diffuser expansion gaps and at joins where two or more pieces are connected together. all of this from the linear lighting system company that has raised the bar on what is possible with this extraordinary product.

The patented Lumi SEAL™ light leak free system incorporates -



ConSeal is a patented end plate that provides hidden gaskets in all IP version luminaires



'Speed-Connect' a fast easy to assemble tool-less joining system that minimises installation time and additional skilled labour.

General enquiries
 E lights@xerolighting.com
 W xerolighting.com
 To get in touch with your local Xero
 Distributor Visit www.xerolighting.com/contacts



XERO
TECHNOLOGY
ADVANCED



XTA | 1.5 Recessed
indoor series IP20

1mm = the industry's smallest incremental length adjustment

All XTA profiles can be mounted wall-to-ceiling, wall-to-wall or any combination of both, this couples with an incremental length capability of 0.039" [1mm] gives the designer maximum flexibility with custom designs.

General enquiries
E lights@xerolighting.com
W xerolighting.com
To get in touch with your local Xero
Distributor Visit www.xerolighting.com/contact



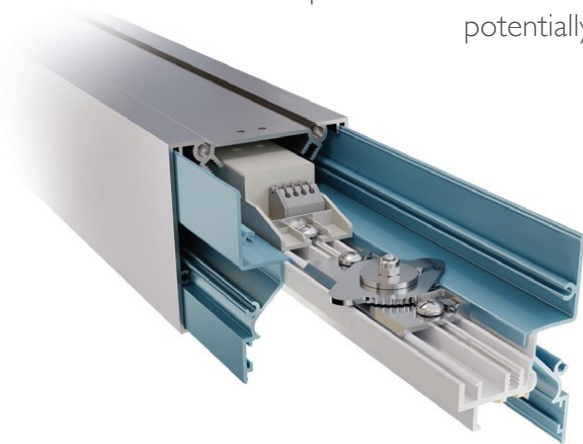
The information contained within this specification sheet is for general information purposes only. While Xero aspires to keep the information up to date and correct, we make no representations or warranties of any kind about the accuracy, reliability, suitability or availability with respect to this information, products, services, or graphics contained in this specification sheet for any purpose.



This truly unique innovation adopts our revolutionary cam lock for quick and simple 'single person' installation. The system is also 'future proofed' by having the ability to easily upgrade as LED technology rapidly

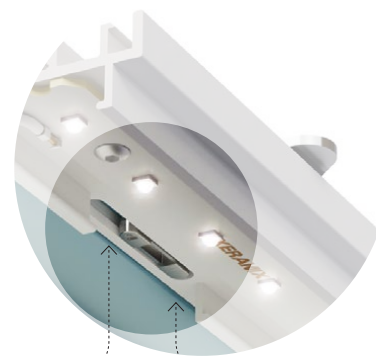
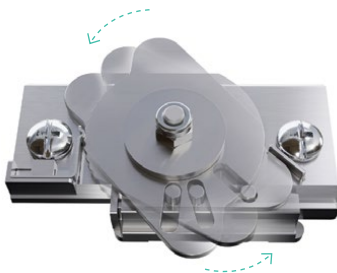
Toolless installation

The ease of speed without screws, tools or lost components whilst also avoiding accidental damage potentially caused by screwdrivers.



Cam lock

Ingenuous patented locking cam allows for ease of installing and removing the complete gear tray. This allows for both simple maintenance but also upgrading in the future.



Highly Configurable

All XTA products can be made with lit, or unlit, corners which provide the designer with a myriad of design options.



bend options



135°



cross 90°



tee 90°



custom



corner 90°



ceiling to wall



XTA | 1.5 Recessed
indoor series IP20



LED technology has rapidly advanced over the last decade with criteria of quality & quantity of light, efficiency, life and cost. The XERAMIX™ philosophy is targeting performance well within nominal specification to create luminaires in a class of their own.



Multi configuration arrays

Xeromix light engines are available in 25mm, 100mm, 280mm and 560mm lengths. These lengths derive from Xero's linear fixture algorithm, resulting in the ability to manufacture any luminaire length within 1mm increments.



Industry First

Xero XTA and XTI profiles are all backed by an industry leading 10 year warranty

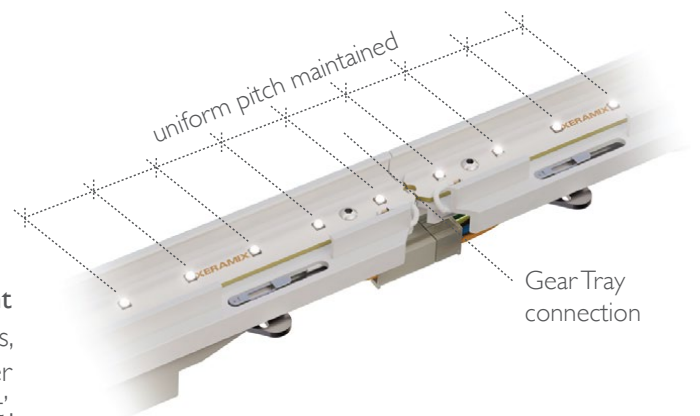
Drive current dipswitch

A simple switch configures the total luminaire wattage, lumen output and efficiency without the need to change components. Xeromix light engines have been engineered to support the broad range of drive currents.



Constant pitch, uniform light

LED pitch is maintained across multiple gear trays, creating a uniform 'dot free' appearance on the diffuser for a highly desirable, continuous 'ribbon of light'.

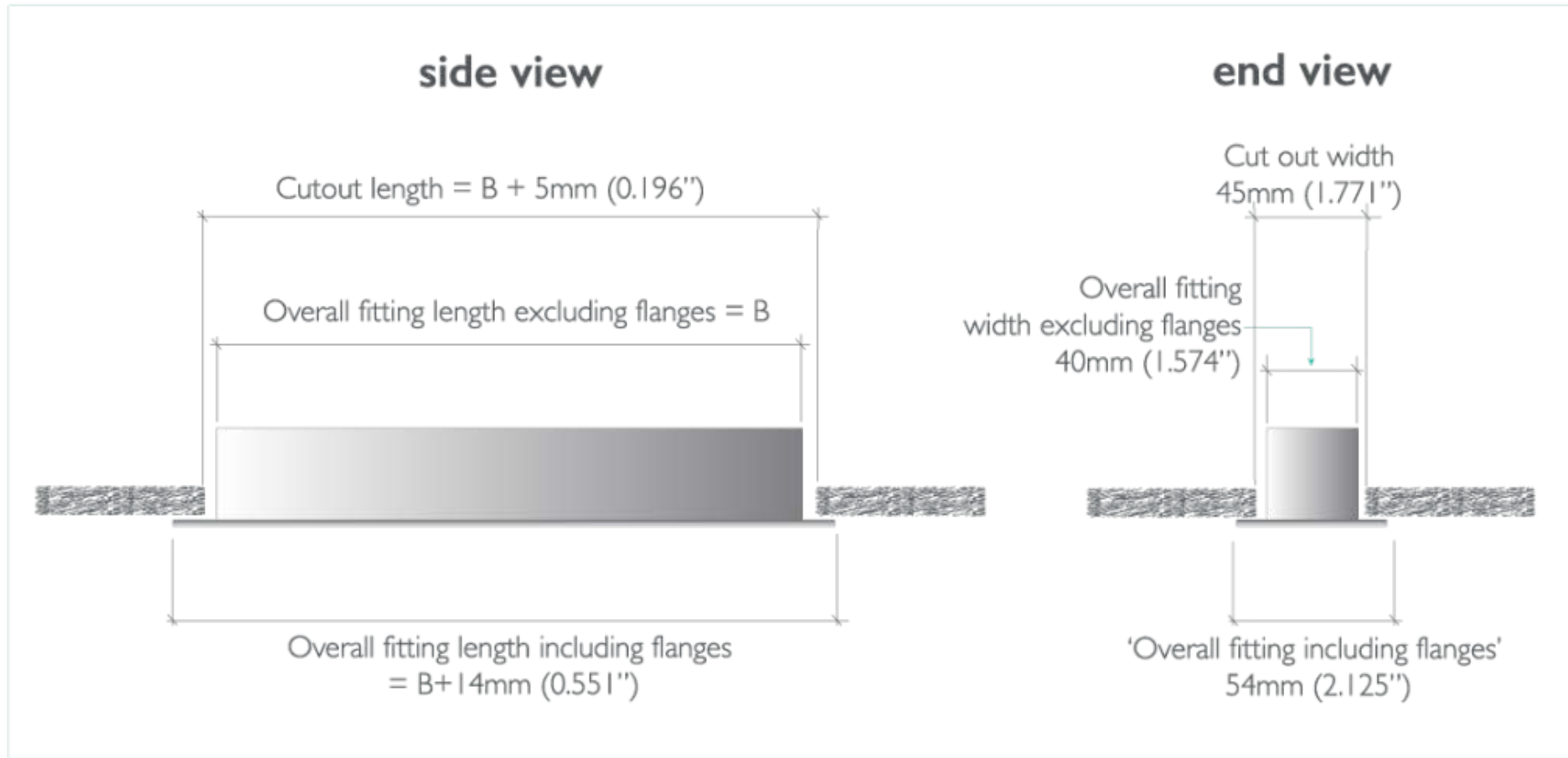


XTA | 1.5 Recessed

metric 40mm Wide (inc flanges
54mm) x 70mm High

imperial 1.574" Wide (inc flanges
2.125") x 2.755" High

technical data



General Enquiries: Elights@xerolighting.com www.xerolighting.com | To get in touch with your local Xero Distributor visit www.xerolighting.com/contacts

The information contained within this specification sheet is for general information purposes only. While Xero aspires to keep the information up to date and correct, we make no representations or warranties of any kind about the accuracy, reliability, suitability or availability with respect to this information, products, services, or graphics contained in this specification sheet for any purpose.

DATA TABLE

Output	4ft Length 1120mm	Luminous Flux (Delivered Lumens)	LO 1900	HO 3500	
	CRI		80+		
	Lumen Maintenance		114,000 hours [L90 B10 @ 35°C] 1M hours [L70 B10 @ 35°C]		
Warranty	Xeramix 1 = 114,000 hours or Xeramix R = 1 million hours				
Electrical	Power Consumption		Between 20 and 45w/m		
	Voltage input range		120 – 277V		
	Control methods		Dimming options for white light: 0-10V, DALI, DMX Optional RGB / Sunset Dimming control DMX or DALI XI		
	Total harmonic distortion THD		9.8% max		
	Approvals		UL / CE / CCC / AS:NZS / EMC		
Physical	Dimensions		40mm wide (54 including flanges) x 70mm high		
	Weight per metre		1.2kg (3lbs) average weight		
	Housing		Aluminium Extrusion with anodised or powdercoated finish		
	Diffuser		Frosted acrylic lens / Polycarbonate lens / Microprism lens		
	Connections		speed connect joining system with polarised electrical connection between sections		
	Compatible ceiling type		suitable for gyprock (drywall) ceilings, metal pan, concrete, timber and T-bar grid ceilings		
	Mounting		Gyprock clips as standard		
	Joiner options		lit corner 90*/ Cross 90*/ Tee 90*/ straight 180* join		
	Operating temperatures		-25°C to 50°C (-13F to 140°F)		
	Environment		Dry – Indoor applications only		
	Minimum length adjustment		1mm		
	LED board types		XERAMIX LED boards in 25mm / 100mm / 280mm / 560mm lengths ZHAGA compatible		



General Enquiries: [E lights@xerolighting.com](mailto:lights@xerolighting.com) [W www.xerolighting.com](http://www.xerolighting.com) | To get in touch with your local Xero Distributor visit www.xerolighting.com/contacts

The information contained within this specification sheet is for general information purposes only. While Xero aspires to keep the information up to date and correct, we make no representations or warranties of any kind about the accuracy, reliability, suitability or availability with respect to this information, products, services, or graphics contained in this specification sheet for any purpose.

PENDANT LENGTHS

DESCRIPTION	PENDANT LENGTHS										
luminaire length (B)	585	863.60	1143.00	1422.40	1701.80	1981.30	2260.60	2540.00	2819.40	3098.80	3378.20
inches (B)	23	34	45	56	67	78	89	100	111	122	133
'560 board multiples	1	1.5	2.0	2.5	3.0	3.5	4.0	4.5	5.0	5.5	6.0

CONTINUOUS LENGTHS

DESCRIPTION	CONTINUOUS RUNS										
total luminaire length (B)	3657.60	3937.00	4216.40	4495.80	4775.20	5054.60	5334.00	5892.80	5892.80	6172.20	6451.60
inches (B)	144	155	166	177	188	199	210	232	232	243	254
'560 board multiples	6.5	7	7.5	8.0	8.5	9.0	9.5	10.0	10.5	11.0	11.5

DESCRIPTION	CONTINUOUS RUNS										
total luminaire length (B)	3657.60	3937.00	4216.40	4495.80	4775.20	5054.60	5334.00	5892.80	5892.80	6172.20	6451.60
inches (B)	144	155	166	177	188	199	210	232	232	243	254
'560 board multiples	6.5	7	7.5	8.0	8.5	9.0	9.5	10.0	10.5	11.0	11.5

CUSTOM LENGTHS

CUSTOM LENGTHS
custom lengths are available in 0.0393701" [1mm] increments above the minimum pendant length of 23" [585mm]

Optical control

All XTA profiles come with many diffuser options for glare control in any application



polycarbonate

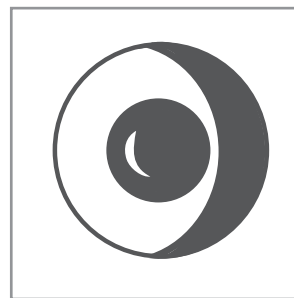


plexiglass

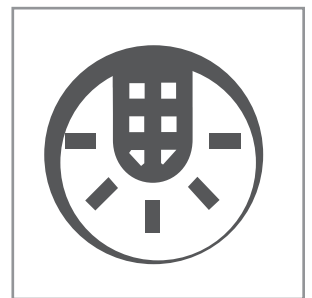


microprism

Accessories and options



sensors / daylight
harvesting



emergency packs



The Xero Configurator allows you to design and build your customised lighting system. To ensure that your profile specifically caters to your project application follow the simple 8 step build process to obtain your unique DNA code. Select your profile, choose your colour, length, gear tray, output, colour temperature, mounting requirement and choose from the selection of extras

The X-Configurator can be accessed at xerolighting.com/xconfigurator

Project Specification Sheet

XTA 3.0 Beam

Name: Joe Smith
Company: Joe Smiths Company
Email: joesmith@joesmithcompany.com.au

Project: A very big project
Fitting Type: S1

Series: XTA - Advanced
IP Rating: IP55
LED Board: Xeramix X1
Size: 3.0 Inches Down / 1.5 inches Up
Shape: Beam
Light Output: Up / Down
Diffuser: Plexiglass Down / Parabolic Louver Up
Colour Temp: 3000K Down / 5000K Up
Drive Current: Drive Current Down / Drive Current Up
Total Light: Total Light Down / Total Light Up
Total Power: Total Power Down / Total Power Up
Efficiency: Efficiency Down / Total Power Up

Copy and Paste into your project specification

SPECIFICATION TEXT
Copy and Paste into your project specification

Type xx - XXM Xero XTA | 3.0 Square with Micro Prism diffuser, Xeramix I LED light engine, 3000°K, 50°C ambient temperature, L90 B10 14 hour life, 275Ma drive current. Efficacy of 512 lumens per watt delivered. Fitting comes complete with Speed-Connect joining system, Con Seal end plates and Lumiseal. Wire suspended with rollerball suspension system.

RE - CONFIGURE THIS SPECIFICATION
This project specification sheet has been generated with X Configurator. Click below to reconfigure and generate a new specification sheet.

Configurator [Click to re-configure](#)

ADELAIDE | AUCKLAND | BRISBANE | CHRISTCHURCH | DUNEDIN | HONG KONG
KUALA LUMPUR | SYDNEY | MELBOURNE | PERTH | USA | WELLINGTON

XTA ADVANCED
XERAMIX X1
10 YEAR WARRANTY
SPEED CONNECT
LUMISEAL
CON SEAL

XEROLIGHTING.COM

to access the X-configurator please visit www.xerolighting.com/xconfigurator

General Specifications:

- LED luminaries shall employ ceramic based LED's with ZHAGA compliant boards
- LED luminaries shall have removable gear trays
- LED luminaries shall have upgradeable boards and drivers
- LED luminaries shall have light leak free joining systems
- LED Luminaires shall have 114,000 hour life to L90 B10 @ 35°C
- LED Luminaires shall have colour spatial uniformity of 3 step macadam ellipse at end of life
- LED luminaries shall have site adjustable drive current selection capability without the need for additional parts
- LED Luminaires shall have thermal ambient temperature rating of 50°C



XTA | 1.5 Recessed indoor series IP20 meet the family

XTA | 1.5 Beam

The XTA 1.5 series is a slim body profile that has superior optics and Xero's patented Speed Connect system that enables truly "light leak free joins" and removable gear trays that can be upgraded in the future.



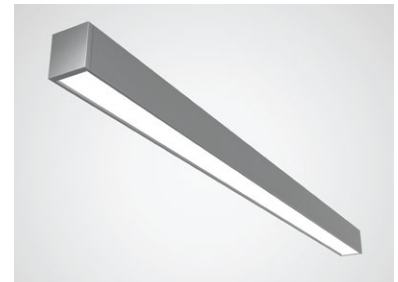
XTA | 1.5 Slot

The XTA 1.5 series is a slim body profile that has superior optics and Xero's patented Speed Connect system that enables truly "light leak free joins" and removable gear trays that can be upgraded in the future.



XTA | 1.5 Square

The XTA 1.5 series is a slim body profile that has superior optics and Xero's patented Speed Connect system that enables truly "light leak free joins" and removable gear trays that can be upgraded in the future.



General Enquiries: [E lights@xerolighting.com](mailto:lights@xerolighting.com) [W www.xerolighting.com](http://www.xerolighting.com) | To get in touch with your local Xero Distributor visit www.xerolighting.com/contacts

The information contained within this specification sheet is for general information purposes only. While Xero aspires to keep the information up to date and correct, we make no representations or warranties of any kind about the accuracy, reliability, suitability or availability with respect to this information, products, services, or graphics contained in this specification sheet for any purpose.

General enquiries
E lights@xerolighting.com W xerolighting.com
To get in touch with your local Xero
Distributor Visit [XEROContacts](#)



The information contained within this specification sheet is for general information purposes only. While Xero aspires to keep the information up to date and correct, we make no representations or warranties of any kind about the accuracy, reliability, suitability or availability with respect to this information, products, services, or graphics contained in this specification sheet for any purpose.