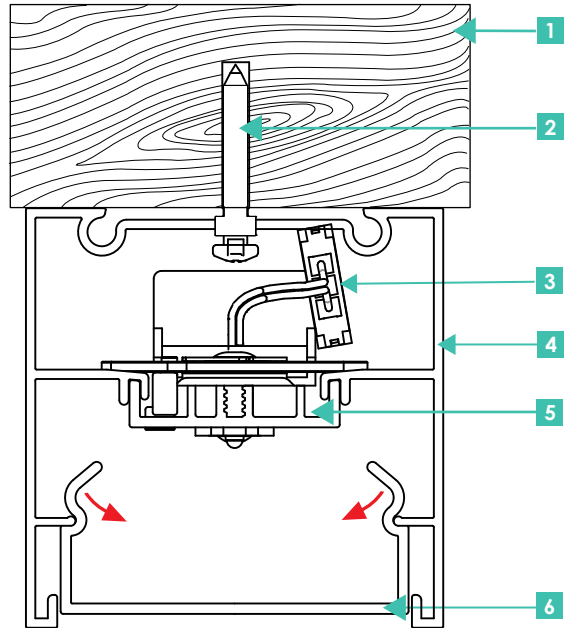


INSTALLATION INSTRUCTION

- 1 Support structure
- 2 Fastner
- 3 Power Connection
- 4 Profile
- 5 Gear Tray
- 6 Diffuser



1

Fitting

Suspension Plan

2

Remove conical endplate (if fitted)

Determine mounting location

3

Remove diffuser

4

Remove gear tray

5

Drill through top section of the luminaire to accommodate selected fixing screw

NOTE: Drill holes at 3 metre maximum centres

6

Fix screw or selected fastener into support structure

CAUTION: Make sure that the profile is not distorted by overtightening the fastner

7

Reconnect all electrical connections

8

Gear Tray

Diffuser

Refix geartray and diffusers

If more information is required please contact your local representative by going to xerolighting.com/contacts or email us at lights@xerolighting.com