

XTE | 3.0 Recessed

metric

72mm Wide (92 inc flanges
mm) x 81mm High

imperial

2.834" Wide (inc flanges
3.622") x3.188" High

DATA SHEET

XERO
TECHNOLOGY
ECONOMY



Xero Linear Lighting Systems introduces the Xero Technology Economy (XTE) series.

XTE brings together the best technology available in a linear system. Removable gear trays that allow LED components to be easily accessed for end of life replacement or maintenance.

Samsung boards combined with TCI drivers achieve good colour quality throughout life with excellent thermal tolerance and a 5 year warranty.

XERO
TECHNOLOGY
ECONOMY **XTE**

XTE | 3.0 Recessed

indoor series IP20



This truly unique innovation adopts our revolutionary cam lock for quick and simple 'single person' installation. The system is also 'future proofed' by having the ability to easily upgrade as LED technology rapidly

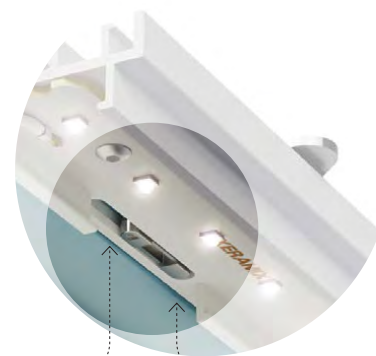
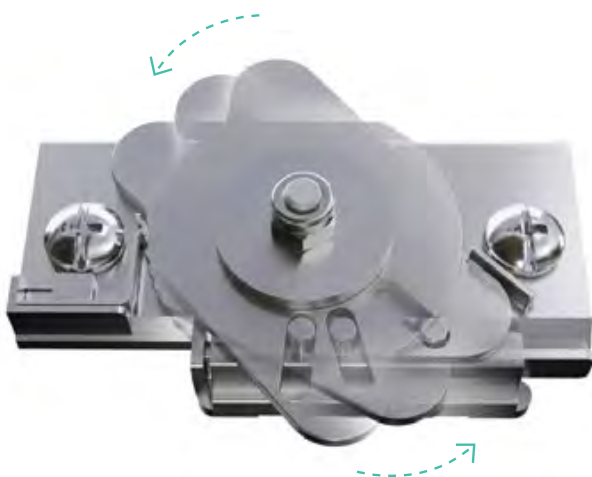
Toolless installation

The ease of speed without screws, tools or lost components whilst also avoiding accidental damage potentially caused by screwdrivers.



Cam lock

Ingenious patented locking cam allows for ease of installing and removing the complete gear tray. This allows for both simple maintenance but also upgrading in the future.



XERO
TECHNOLOGY
ECONOMY



XTE | 3.0 Recessed
indoor series IP20

Configurable

All XTE products are available with unlit corners



bend options



135°



cross 90°



tee 90°



custom

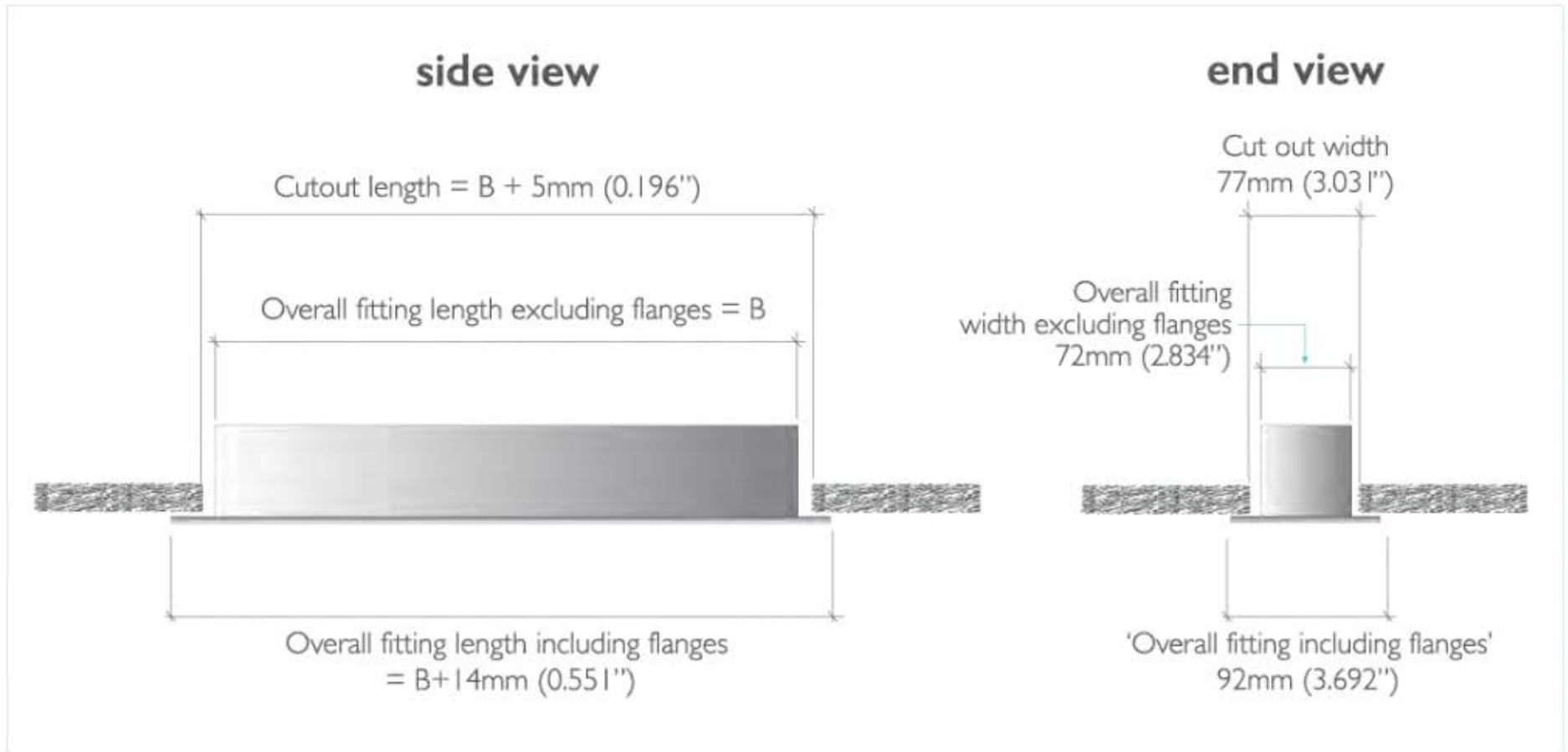


corner 90°



ceiling to wall





DATA TABLE

Output	4ft Length 1120mm	Luminous Flux (Delivered Lumens)	LO 1900	HO 3500	
	CRI		80+		
	Lumen Maintenance		50,000 hours [L70 B10 @ 25°C]		
Warranty			5 Years		
Electrical	Power Consumption		Between 20 and 26w LO & 34 and 45w HO		
	Voltage input range		120 – 277V		
	Control methods		0-10V, DALI, DMX Optional RGB / Sunset Dimming control		
	Total harmonic distortion THD		9.8% max		
	Approvals		UL / CE / CCC / AS:NZS / EMC		
Physical	Dimensions		72mm (inc flanges 92mm) X 81 mm high		
	Weight per metre		2.8kg (6.2lbs) average weight		
	Housing		Aluminium Extrusion with anodised or powder-coated finish		
	Diffuser		Plexiglass acrylic lens / Polycarbonate lens		
	Connections		Blind Coupling joining system with polarised electrical connection between sections		
	Compatible ceiling type		Suitable for wire suspension / rod suspension / direct fix and wall bracket		
	Mounting		Gyprock brackets as standard		
	Joiner options		Corner 90°/ Cross 90°/ Tee 90°/ straight 180° join		
	Operating temperatures		-25°C to 50°C (-13F to 140°F)		
	Environment		Dry – Indoor applications only		
	Minimum length adjustment		70mm		
	LED board types		Samsung LED boards in 70mm / 280mm / 560mm lengths ZHAGA compatible		

PENDANT LENGTHS

DESCRIPTION	PENDANT LENGTHS										
luminaire length (B)	585	864	1143	1422	1702	1980	2261	2540	2819	3099	3378
inches (B)	23	34	45	56	67	78	89	100	111	122	133
'560 board multiples	1	1.5	2.0	2.5	3.0	3.5	4.0	4.5	5.0	5.5	6.0

CONTINUOUS LENGTHS

DESCRIPTION	CONTINUOUS RUNS										
total luminaire length (B)	3658	3937	4216	4496	4775	5055	5334	5613	5893	6172	6452
inches (B)	144	155	166	177	188	199	210	232	243	254	265
'560 board multiples	6.5	7	7.5	8.0	8.5	9.0	9.5	10.0	10.5	11.0	11.5

DESCRIPTION	CONTINUOUS RUNS										
total luminaire length (B)	6731	7010	7290	7569	7849	8128	8407	8687	8966	9246	9525
inches (B)	276	287	298	309	320	331	342	353	364	375	386
'560 board multiples	12.0	12.5	13.0	13.5	14.0	14.5	15.0	15.5	16.0	16.5	17.0

Please refer to the XTE products section of the Xero website for all additional continuous lengths - <http://xerolighting.com/xte-profiles/>

CUSTOM LENGTHS

CUSTOM LENGTHS
custom lengths are available in 0.0393701" [1mm] increments above the minimum pendant length of 23" [585mm]



XTE | 3.0 Recessed
indoor series IP20

Optical control

All XTE profiles come with diffuser options for glare control

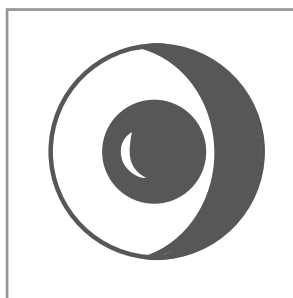


polycarbonate

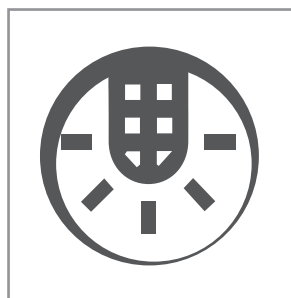


plexiglass

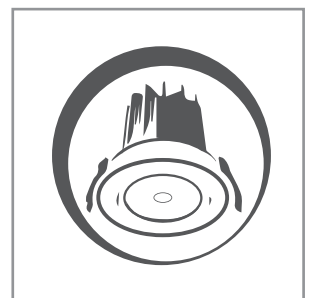
Accessories and options



sensors / daylight
harvesting



emergency packs



downlights



XERO TECHNOLOGY ECONOMY **XTE**

XTE | 3.0 Recessed

indoor series IP20



The Xero Configurator allows you to design and build your customised lighting system. To ensure that your profile specifically caters to your project application follow the simple 8 step build process to obtain your unique DNA code. Select your profile, choose your colour, length, gear tray, output, colour temperature, mounting requirement and choose from the selection of extras

The X-Configurator can be accessed at xerolighting.com/xconfigurator

Project Specification Sheet

XTA 3.0 Beam

Name: Joe Smith
Company: Joe Smiths Company
Email: joesmith@joesmithcompany.com.au

Project: A very big project

Fitting Type: S1

Series: XTA - Advanced
IP Rating: IP55
LED Board: Xeramix X1
Size: 3.0 Inches Down / 1.5 Inches Up
Shape: Beam
Light Output: Up / Down
Diffuser: Plexiglass Down / Parabolic Louver Up
Colour Temp: 3000K Down / 5000K Up
Drive Current: Drive Current Down / Drive Current Up
Total Light: Total Light Down / Total Light Up
Total Power: Total Power Down / Total Power Up
Efficiency: Efficiency Down / Total Power Up

Copy and Paste into your project specification

SPECIFICATION TEXT
Copy and Paste into your project specification

Type xx - XXX Xero XTA | 3.0 Square with Micro Prism diffuser, Xeramix I LED light engine, 3000°K, 50°C ambient temperature, L90 B10 14 hour life, 275Ma drive current, Efficacy of 512 lumens per watt delivered. Fitting comes complete with Speed-Connect joining system, ConSeal end plates and LumiSeal. Wire suspended with rollerball suspension system.

RE - CONFIGURE THIS SPECIFICATION
This project specification sheet has been generated with X Configurator. Click below to reconfigure and generate a new specification sheet.

Configurator [Click to re-configure](#)

ADELAIDE | AUCKLAND | BRISBANE | CHRISTCHURCH | DUNEDIN | HONG KONG
KUALA LUMPUR | SYDNEY | MELBOURNE | PERTH | USA | WELLINGTON

XTE ADVANCED
XERAMIX
10 YEAR WARRANTY
SPEED-CONNECT
LUMISEAL
CONSEAL

XEROLIGHTING.COM

to access the X-configurator please visit www.xerolighting.com/xconfigurator

General Specifications:

LED luminaires shall employ ceramic based LED's with ZHAGA compliant boards
LED luminaires shall have removable gear trays
LED luminaires shall have upgradeable boards and drivers
LED luminaires shall have light leak free joining systems
LED Luminaires shall have 114,000 hour life to L90 B10 @ 35°C
LED Luminaires shall have colour spatial uniformity of 3 step macadam ellipse at end of life
LED luminaires shall have site adjustable drive current selection capability without the need for additional parts
LED Luminaires shall have thermal ambient temperature rating of 50°C





XTE | 3.0 Recessed indoor series IP20

meet the family

XTE | 3.0 Slot

The XTE 3.0 series is a wide body profile that has superior optics and Xero's removable gear trays that can be upgraded in the future.



XTE | 3.0 Square

The XTE 3.0 series is a wide body profile that has superior optics and Xero's removable gear trays that can be upgraded in the future.



General enquiries
E headoffice@xerolighting.com W xerolighting.com
To get in touch with your local Xero
Distributor visit xerolighting.com/contacts



The information contained within this specification sheet is for general information purposes only. While Xero aspires to keep the information up to date and correct, we make no representations or warranties of any kind about the accuracy, reliability, suitability or availability with respect to this information, products, services, or graphics contained in this specification sheet for any purpose.