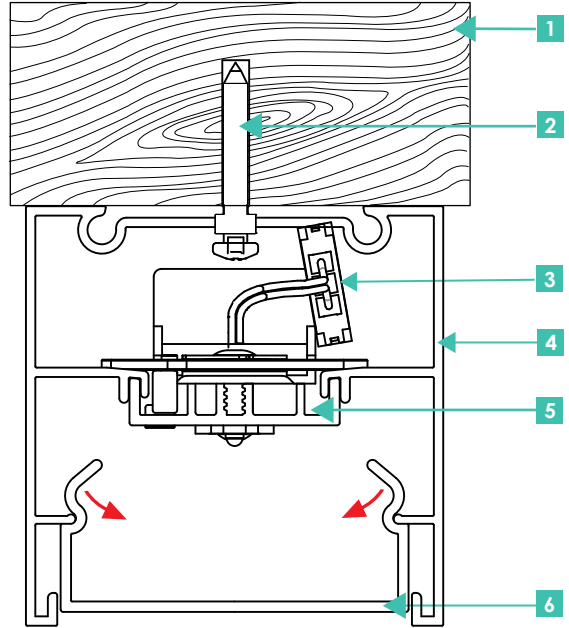


## INSTALLATION INSTRUCTION

- 1 Support structure
- 2 Fastner
- 3 Power Connection
- 4 Profile
- 5 Gear Tray
- 6 Diffuser



**1**

Fitting

Suspension Plan

**2**

Remove conical endplate (if fitted)

Determine mounting location

**3**

Remove diffuser

**4**

Remove gear tray

**5**

Drill through top section of the luminaire to accommodate selected fixing screw

**NOTE: Drill holes at 3 metre maximum centres**

**6**

Fix screw or selected fastener into support structure

**CAUTION: Make sure that the profile is not distorted by overtightening the fastner**

**7**

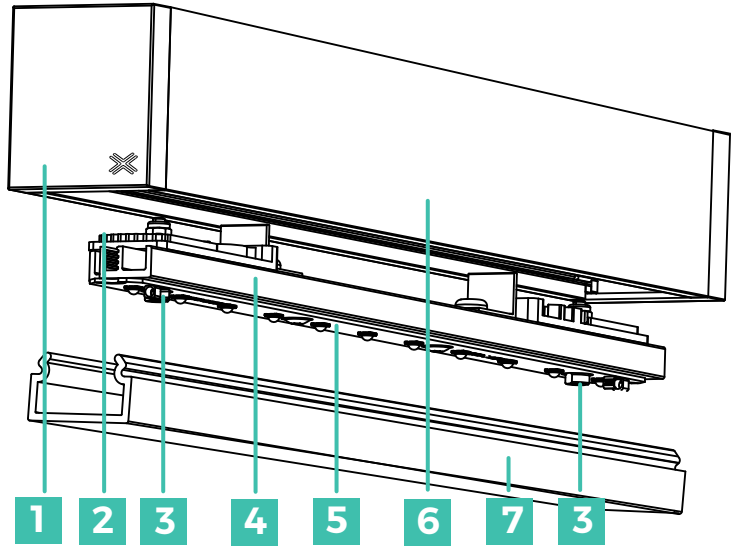
Reconnect all electrical connections

**8**

Refix geartray and diffusers

If more information is required please contact your local representative by going to [xerolighting.com/contacts](http://xerolighting.com/contacts) or email us at [lights@xerolighting.com](mailto:lights@xerolighting.com)

1. End cap
2. Cam Latch
3. Latch locations
4. Gear-tray
5. Light engine
6. Luminaire
7. Diffuser



### GEAR-TRAY REMOVAL (STEPS 1-6)

**1**

**Disconnect power**

Remove diffuser with diffuser tool

**2**

**latch key**

Identify latch locations

**3**

**allen key**

Use allen key to rotate latch keys anti-clockwise.

Note: Latch is open when flats are parallel to gear-tray side

**4**

Lower gear-tray out of luminaire.

**5**

Disconnect wiring harness connectors.

**6**

Remove gear-tray.

### GEAR-TRAY INSTALLATION (STEPS 7-11)

**7**

**open position**

Ensure latch-cams on both sides of luminaire are in an open position.

**8**

Position gear-tray near luminaire and connect wiring harness connectors

**9**

Push gear-tray into luminaire until stop brackets bottom out on luminaire body.

Note: Ensure no wiring or other components prevent assembly

**10**

Use allen key to rotate latch key clockwise into a locked position.

Note: Latch is locked when flats are at an angle to the gear-tray sides

**11**

**Re-connect power**

Reassemble diffuser.