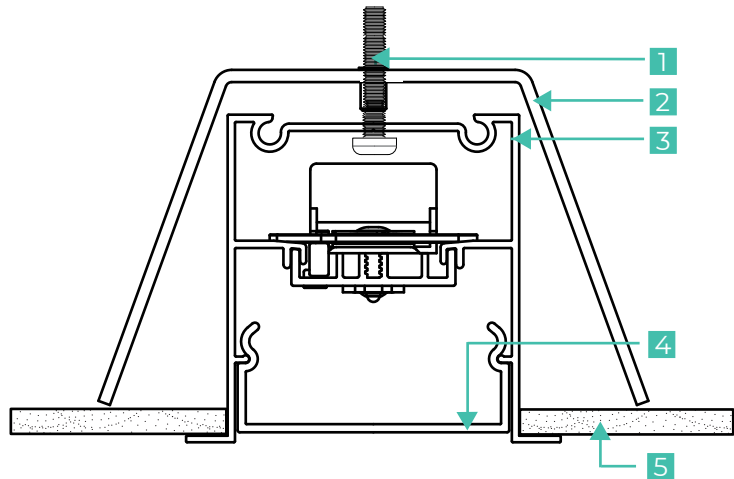


# RECESSED (IP55) INSTALLATION INSTRUCTIONS

- 1 Screw
- 2 Recessed Clip
- 3 Luminaire
- 4 Diffuser
- 5 Ceiling



**1**

Recessed Clip and Luminaire

Suspension Plan

Note: Ensure ceiling construction can support luminaire weight

Determine mounting location

**3**

Ceiling opening width =  $W + 7\text{mm}$

Ensure ceiling cut-out is the correct length and width.

**4** Cut-out length = length endcap to endcap + 7mm

Overall fitting length including width of flanges

**4** Remove diffuser

**5** Remove gear-tray

Step 1. Slide latch to unlock position  
Step 2. Remove gear-tray

**6** Top View

Rotate clips so that they sit flush against the body.

**7**

Lift unit into ceiling and push screw fully into luminaire, then turn screw to rotate clip.

**8**

Make sure power is connected in ceiling while being placed into position.

**9**

Tighten screw (s) ensuring clips are kept parallel and even. Do not over tighten.

**10** If the luminaire run is built from multiple sections:

Align adjacent luminaire sections and pass the threaded tube provided through the hole in the end cap of each section

**11** \*Screw the nuts provided on to each end of the threaded tube and use them to draw the two luminaire sections together. Take care to align the two luminaire sections during the final stage of tightening

**12**

\*Pass the electrical harness from one section through the threaded tube and connect to the adjacent harness

**13**

Replace gear-tray and reconnect power

**14**

Replace diffuser

**WARNING**

1. Ensure luminaire is kept horizontal whilst being lifted into ceiling.
2. If there is more than one section of luminaire insert each piece into ceiling separately and connect.

If more information is required please contact your local representative by going to [xerolighting.com/contact](http://xerolighting.com/contact) or email us at [headoffice@xerolighting.com](mailto:headoffice@xerolighting.com)