

XERO
TECHNOLOGY
ADVANCED 

XTA | 2.0 Recessed

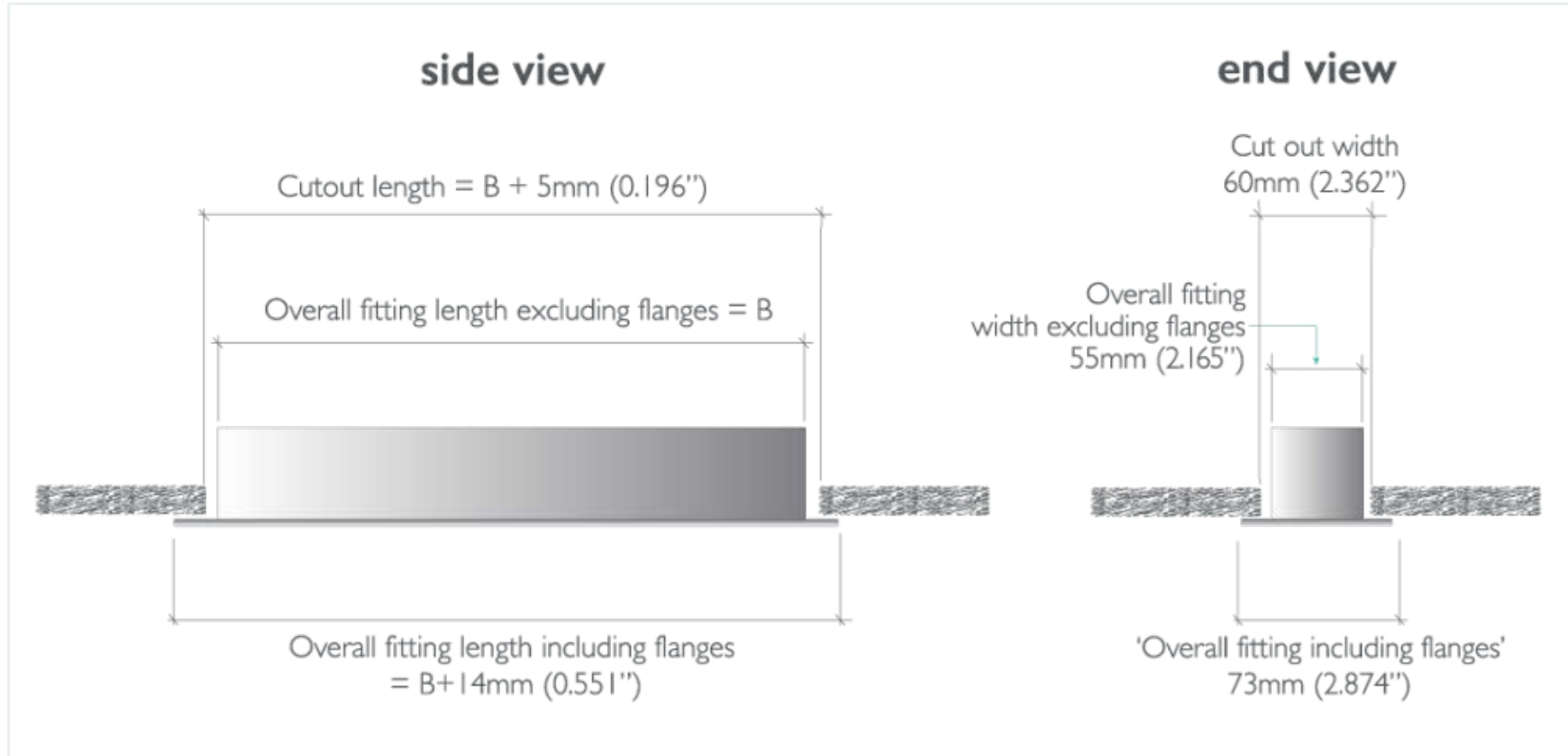
metric

60mm Wide (inc flange 73mm)
75mm High

imperial

2.362" Wide (inc flanges
2.874") x 2.952" High





DATA TABLE

LED Engine	4ft Length	Luminous Flux	LO	HO	
	1120mm	(Delivered Lumens)	1900	3500	
	Xeramix	CRI	80+		
		Lumen Maintenance:	114,000 Hours (L90 B10 @ 50°)		
	Proformax	CRI:	90+		
		Lumen Maintenance:	82,000 Hours (L80 B10 @ 35°)		
Warranty	Xeramix	10 years			
	Proformax	7 years			
Electrical	Power Consumption	Between 20 and 45w/m			
	Voltage input range	120 - 277V			
	Control methods	Dimming options for white light: 0-10V, DALI, DMX Optional RGB / Sunset Dimming control DMX or DALI XI			
	Total harmonic distortion THD	9.8% max			
	Approvals	UL / CE / CCC / AS:NZS / EMC			
Physical	Dimensions	60mm (inc flanges 73mm) X 75mm high			
	Weight per metre	2.6kg (6lbs) average weight			
	Housing	Aluminum Extrusion with anodised or powder-coated finish			
	Diffuser	Frosted acrylic lens / Polycarbonate lens / Microprism lens / Semi specular louvre / Optic white louvre			
	Connections	Speed-Connect joining system with polarised electrical connection between sections			
	Compatible ceiling type	Suitable for gyprock (drywall) ceilings, metal pan, concrete, timber, and T-bar grid ceilings			
	Mounting	Gyprock clips as standard			
	Joiner options	Lit corner 90°/ Cross 90°/ Tee 90°/ straight 180° join			
	Operating temperatures	Xeramix = -25°C to 50°C (-13°F to 140°F) Proformax = -25°C to 35°C (-13°F to 95°F)			
	Environment	Dry indoor applications only			
	Minimum length adjustment	Xeramix = 1mm Proformax = 25mm			
	LED Board types	Xeramix LED boards in 25 / 100 / 280 / 560mm lengths Zhaga compatible Proformax LED boards in 50 / 280mm / 560mm lengths Zhaga compatible			

PENDANT LENGTHS

DESCRIPTION	PENDANT LENGTHS										
luminaire length (B)	585	863.60	1143.00	1422.40	1701.80	1981.30	2260.60	2540.00	2819.40	3098.80	3378.20
inches (B)	23	34	45	56	67	78	89	100	111	122	133
'560 board multiples	1	1.5	2.0	2.5	3.0	3.5	4.0	4.5	5.0	5.5	6.0

CONTINUOUS LENGTHS

DESCRIPTION	CONTINUOUS RUNS										
total luminaire length (B)	3657.60	3937.00	4216.40	4495.80	4775.20	5054.60	5334.00	5892.80	5892.80	6172.20	6451.60
inches (B)	144	155	166	177	188	199	210	232	232	243	254
'560 board multiples	6.5	7	7.5	8.0	8.5	9.0	9.5	10.0	10.5	11.0	11.5

DESCRIPTION	CONTINUOUS RUNS										
total luminaire length (B)	3657.60	3937.00	4216.40	4495.80	4775.20	5054.60	5334.00	5892.80	5892.80	6172.20	6451.60
inches (B)	144	155	166	177	188	199	210	232	232	243	254
'560 board multiples	6.5	7	7.5	8.0	8.5	9.0	9.5	10.0	10.5	11.0	11.5

CUSTOM LENGTHS

CUSTOM LENGTHS
custom lengths are available in 0.0393701" [1mm] increments above the minimum pendant length of 23" [585mm]

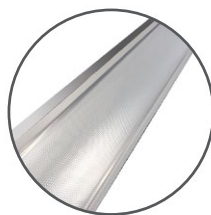
XTA | 2.0 Recessed
indoor series IP20

Optical control

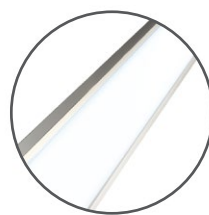
All XTA profiles come with many diffuser options for glare control in any application



Plexiglass



Microprism



Polycarbonate



Semi specular louvre

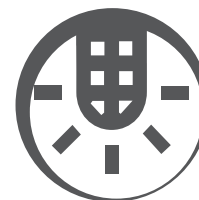


Optic white louvre

Accessories and options



sensors / daylight
harvesting



emergency packs



downlights

Bend options



135°



cross 90°



tee 90°



custom



corner 90°



ceiling to wall

General enquiries
E lights@xerolighting.com W xerolighting.com
To get in touch with your local Xero
Distributor Visit [XEROContacts](#)



The information contained within this specification sheet is for general information purposes only. While Xero aspires to keep the information up to date and correct, we make no representations or warranties of any kind about the accuracy, reliability, suitability or availability with respect to this information, products, services, or graphics contained in this specification sheet for any purpose.